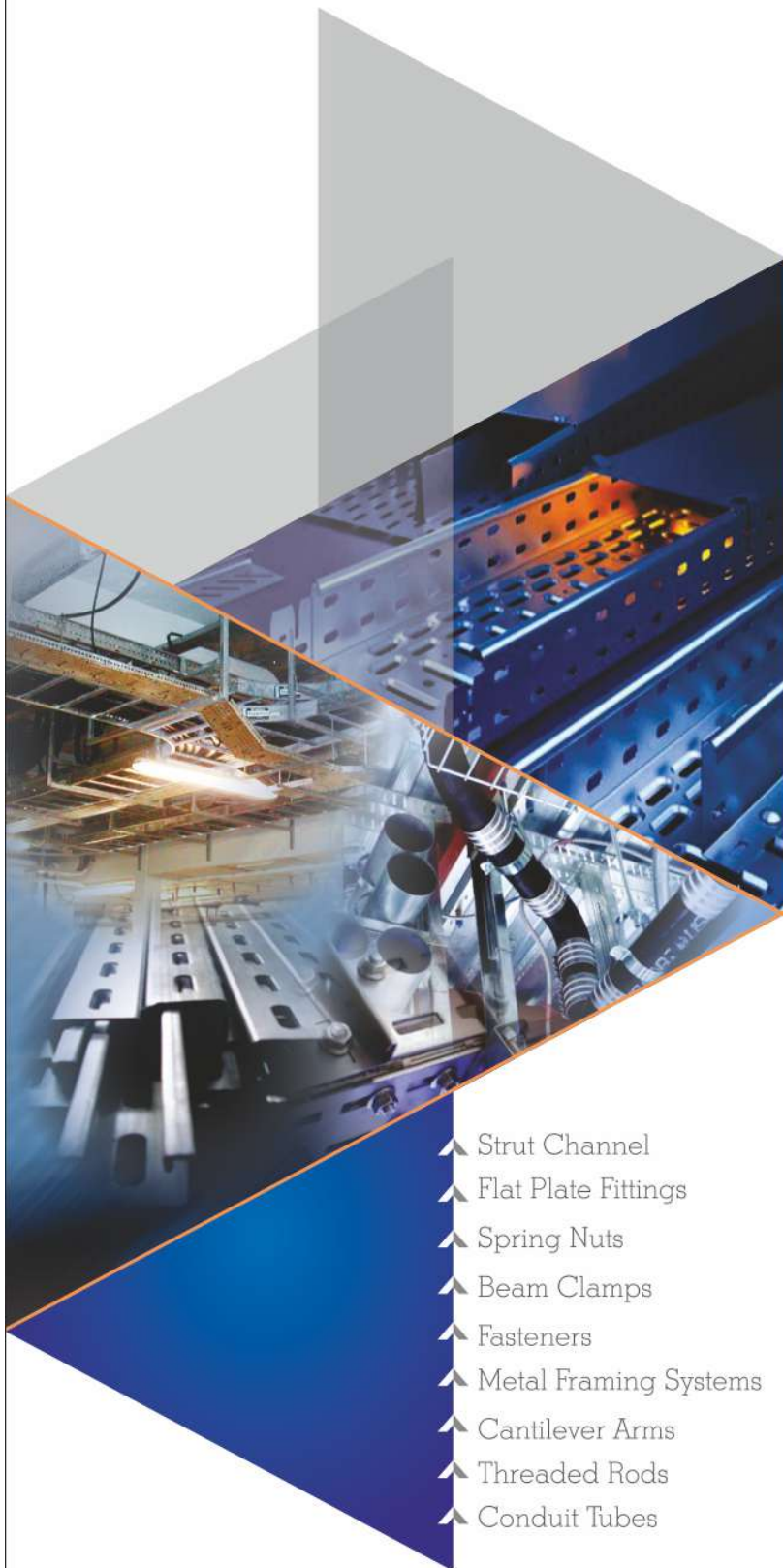


welcome to

CSS SUPPORT SYSTEMS LTD.

AN ISO 9001:2008 CERTIFIED CO.



PRODUCT
CATALOGUE
VOL.VII

website: www.csslimited.com

e-mail: sales@csslimited.com

- ▲ Strut Channel
- ▲ Flat Plate Fittings
- ▲ Spring Nuts
- ▲ Beam Clamps
- ▲ Fasteners
- ▲ Metal Framing Systems
- ▲ Cantilever Arms
- ▲ Threaded Rods
- ▲ Conduit Tubes



SUPPORT SYSTEMS LTD.

OUR COMPANY

In an industry that is renowned for failing to meet the demands of its customers, CSS have quickly built a reputation for providing a quick reliable service from stock, at competitive rates, and with the personal touch that only a family run business can provide.

CSS Limited was incorporated by the Corbett family in 2005. Since then we have developed to rapidly becoming the UK's leading importer of cable management products & associated fixings; and more recently manufacturer from our site in the Midlands. The management team have in excess of 55 years' experience in the markets that we deal in and it is our knowledge, flexibility and hands on approach that has allowed our organic growth.

The company continues to re-invest in both it's people and machinery. We have recently heavily invested in installing a new production line to meet the demands of our customers, whilst at the same time increasing our product range. Strong partnerships with our suppliers and customers ensure that our continual sourcing and product development has always been considerably successful.

Our sales strategy is to supply our products to the fixings, M&E and H&V markets only via nominated distributors. We operate from 3 sites, a 30,000 sq ft purpose built manufacturing & distribution depot centrally placed in West Bromwich, a distribution depot in Glasgow covering Scotland & Ireland, supported by our Warrington site, which houses a warehouse/collection depot and a sales and accounts office.

CSS Limited are committed to providing quality products and a quality service for our customers.

We run regular promotions on various products & can offer discounts on bulk orders so please get in touch for a complete quote.

Follow us on Twitter to see our latest developments.

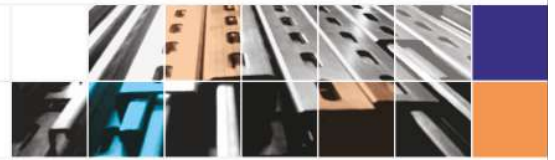
QUALITY

At CSS we strive to provide the customer exactly what they want and when they want it



SUPPORT SYSTEMS LTD.





➤ Strut Framing

Css Channel Sections

CSS Channel and brackets are manufactured to BS6946. All loading calculations are in accordance with BS5950. Standard Slot Sizes are 28 x 14mm @ 50mm Centres or 25 x 11mm @ 50mm Centres. Standard Lengths are 3m and 6m, with cut lengths available on request.

- The standard stock profile of CSS channel is
- PG = Pre-galvanised mild steel to BS EN 10326
- GA = Hot dip galvanised after manufacture to BS EN ISO 1461
- Other finishes add the following
- SS = Stainless steel 316
- EC = Epoxy Painted Finish
- PO = Plain Oiled Self Colour

Css Channel Brackets

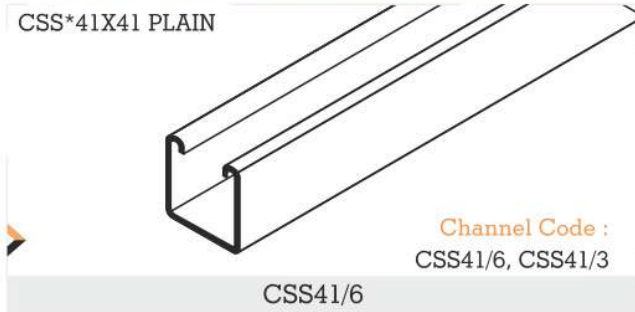
Our ranges of brackets are designed to compliment our range of support systems, offering flexibility and integrity. Brackets are manufactured to comply with BS6946. All our brackets are manufactured from 40mm x 5mm or 40mm x 6mm thick steel that complies with BS EN 1011, with a minimum yield stress of 170 N/mm². All brackets are 40 mm wide and have 14 mm diameter holes to accept maximum M12 setscrews. All bend radii are 5 mm unless otherwise stated. Maximum loads for individual brackets are available upon request.

Bracket weights are indicated. All dimensions are in millimeters. Channel nuts and setscrews are not supplied with brackets and must be ordered separately

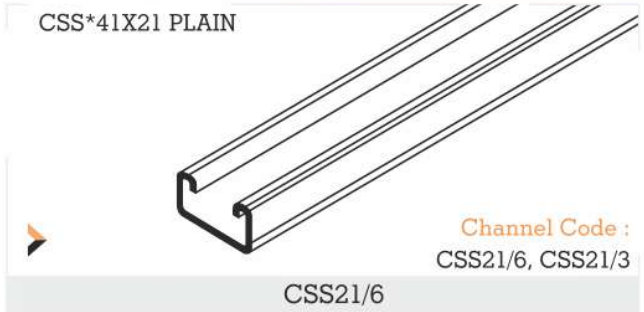
The standard finish for all brackets is hot dip galvanised to BS EN ISO 1461. Brackets are also available in Zinc Plated to BS EN 12329. Stainless steel 316 is also available upon request.



CSS*41X41 PLAIN

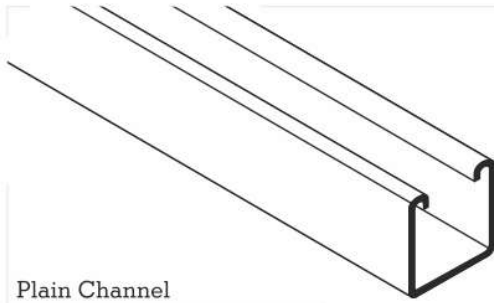


CSS*41X21 PLAIN



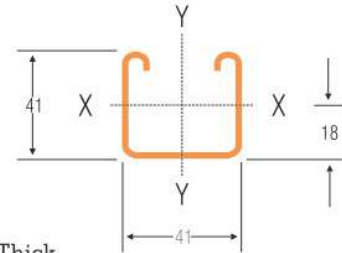
Mechanical Guide

CHANNEL SECTIONS ARE AVAILABLE IN 2.5mm & 1.5mm THICKNESS



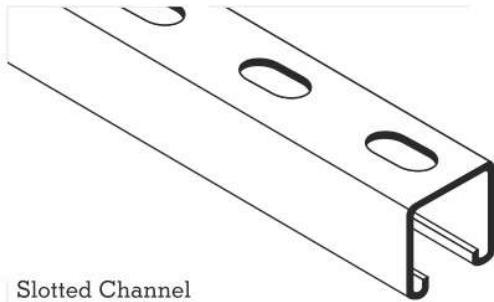
Plain Channel

CSS41/P/2.5



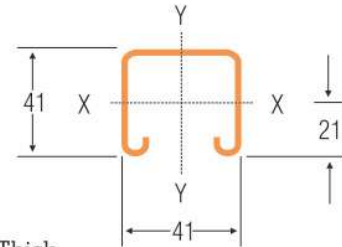
2.5mm Thick

Span or Column Unsupported High in mm	Uniform Load at 175 N/mm ² Stress. Kg	Deflection in mm at 175N/mm ²	Uniform Load at Max. Deflec. of 1/200th. Span. Kg	Uniform Load at Max. Deflec. of 1/360th. Span. Kg	Max. Load of Column Loaded @ Centroid kg	Max. Load of Column Loaded @ slot face kg
C250	1769	0.23	-	-	5869	1693
500	884	0.95	-	-	5379	1650
750	589	2.15	-	571	4479	1554
1000	442	3.82	-	321	3373	1395
1250	353	5.97	-	205	2556	1232
1500	294	8.60	257	142	2020	1093
1750	252	11.70	188	104	1656	976
2000	221	15.29	144	80	1395	879
2250	196	19.35	114	63	1198	797
2500	176	23.89	92	51	1044	725
2750	160	28.91	76	42	(919)	(663)
3000	147	34.40	64	35	(816)	(607)



Slotted Channel

CSS41/S/2.5



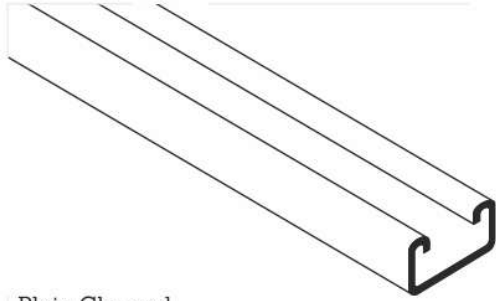
2.5mm Thick

Span or Column Unsupported High in mm	Uniform Load at 175 N/mm ² Stress. Kg	Deflection in mm at 175N/mm ²	Uniform Load at Max. Deflec. of 1/200th. Span. Kg	Uniform Load at Max. Deflec. of 1/360th. Span. Kg	Max. Load of Column Loaded @ Centroid kg	Max. Load of Column Loaded @ slot face kg
250	1638	0.27	-	-	5351	1660
500	819	1.05	-	-	5100	1635
750	546	2.35	-	483	4412	1557
1000	409	4.18	-	271	3284	1389
1250	327	6.54	313	174	2436	1211
1500	273	2.41	217	120	1899	1062
1750	234	12.81	159	88	1546	941
2000	204	16.73	122	67	1297	843
2250	182	21.18	96	53	1113	761
2500	163	26.15	78	43	970	691
2750	148	31.64	64	35	(855)	(631)
3000	136	37.65	54	30	(761)	(578)

Series	Weight	Material Thickness	Standard Lengths		Finishes				Area of Section	Elements of Section Axis X-X			Elements of Section Axis Y-Y		
			3m	6m	PO	PG	GA	SS		1cm ⁴	Zcm ³	cm	1cm ⁴	Zcm ³	cm
CSS 41/P	kg/m	mm	●	●	●	●	●	●	cm ²	1cm ⁴	Zcm ³	cm	1cm ⁴	Zcm ³	cm
CSS 41/P	2.88	2.5	●	●	●	●	●	●	3.35	7.21	3.10	1.46	9.23	4.47	1.66
CSS 41/S	2.73	2.5	●	●	●	●	●	●	3.00	6.10	2.87	1.42	1.42	4.44	1.74

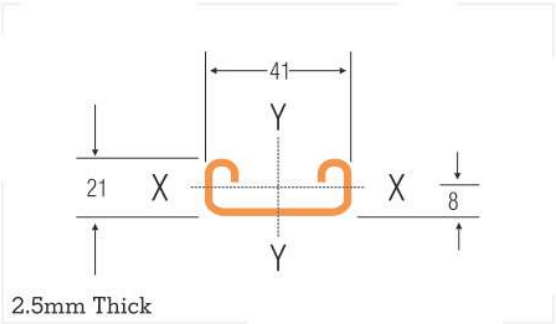
Load shown in brackets indicates slenderness ratio >180 <250

Mechanical Guide



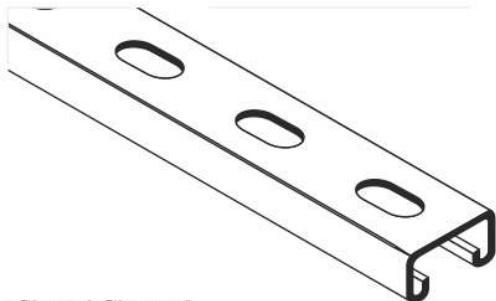
Plain Channel

CSS21/P/2.5



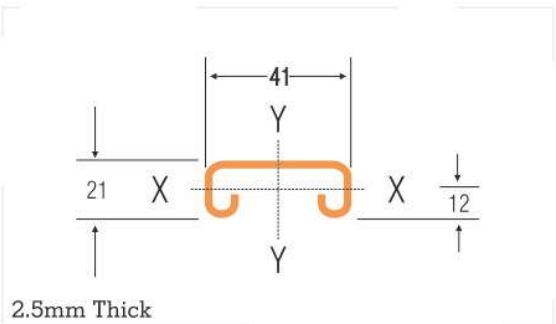
2.5mm Thick

Span or Column Unsupported High in mm	Uniform Load at 175 N/mm ² Stress. Kg	Deflection in mm at 175N/mm ²	Uniform Load at Max. Deflec. of 1/200th. Span. Kg	Uniform Load at Max. Deflec. of 1/360th. Span. Kg	Max. Load of Column Loaded @ Centroid kg	Max. Load of Column Loaded @ slot face kg
250	553	0.45	-	-	3993	1042
500	276	1.81	-	212	3379	995
750	184	4.07	169	94	2198	859
1000	138	7.24	95	53	1353	690
1250	110	11.32	61	33	896	548
1500	92	16.30	42	23	(634)	(437)
1750	79	22.19	31	-	(471)	(353)
2000	69	28.99	23	-	-	-



Slotted Channel

CSS21/S/2.5



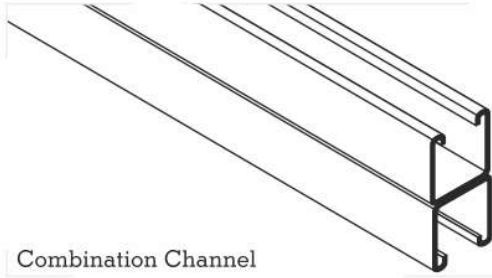
2.5mm Thick

Span or Column Unsupported High in mm	Uniform Load at 175 N/mm ² Stress. Kg	Deflection in mm at 175N/mm ²	Uniform Load at Max. Deflec. of 1/200th. Span. Kg	Uniform Load at Max. Deflec. of 1/360th. Span. Kg	Max. Load of Column Loaded @ Centroid kg	Max. Load of Column Loaded @ slot face kg
250	508	0.50	-	-	-	-
500	254	2.01	-	174	-	-
750	169	4.54	139	77	-	-
1000	127	8.07	78	43	-	-
1250	101	12.61	50	27	-	-
1500	84	18.71	34	-	-	-
1750	72	24.73	25	-	-	-
2000	63	32.30	-	-	-	-

Series	Weight	Material Thickness	Standard Lengths		Finishes				Area of Section	Elements of Section Axis X-X				Elements of Section Axis Y-Y		
			3m	6m	PO	PG	GA	SS		1cm ⁴	Zcm ³	r cm	1cm ⁴	Zcm ³	r cm	
CSS 21/P	1.91	2.5	●	●	●	●	●	●	2.32	1.19	0.97	0.71	5.34	2.59	1.51	
CSS 21/S	1.76	2.5	●	●	●	●	●	●	1.97	0.98	0.89	0.70	5.29	2.56	1.63	

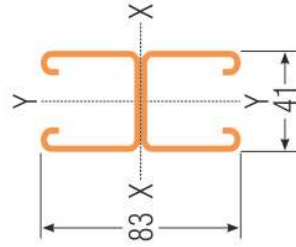
Load shown in brackets indicates slenderness ratio > 180 < 250

Mechanical Guide



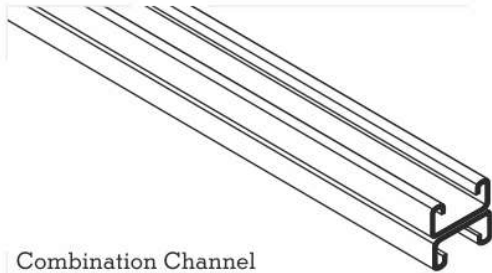
Combination Channel

CSSBB41/2.5



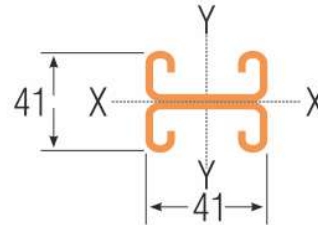
AVAILABLE IN PLAIN OR SLOTTED

Span or Column Unsupported High in mm	Uniform Load at 175 N/mm ² Stress. Kg	Deflection in mm at 175N/mm ²	Uniform Load at Max. Deflec. of 1/200th. Span. Kg	Uniform Load at Max. Deflec. of 1/360th. Span. Kg	Max. Load of Column Loaded @ Centroid kg	Max. Load of Column Loaded @ slot face kg
250	-	-	-	-	11952	2880
500	-	-	-	-	11682	2864
750	1670	1.21	-	-	11186	2833
1000	1253	2.15	-	-	10451	2783
1250	1002	3.36	-	-	9305	2695
1500	835	4.84	-	718	7790	2551
1750	716	6.59	-	527	6293	2367
2000	626	8.61	-	404	5068	2170
2250	556	10.89	-	319	4127	1977
2500	501	13.45	465	258	3410	1796
2750	455	16.27	384	213	2858	1630
3000	417	19.37	323	179	(2427)	(1480)



Combination Channel

CSSBB21/2.5



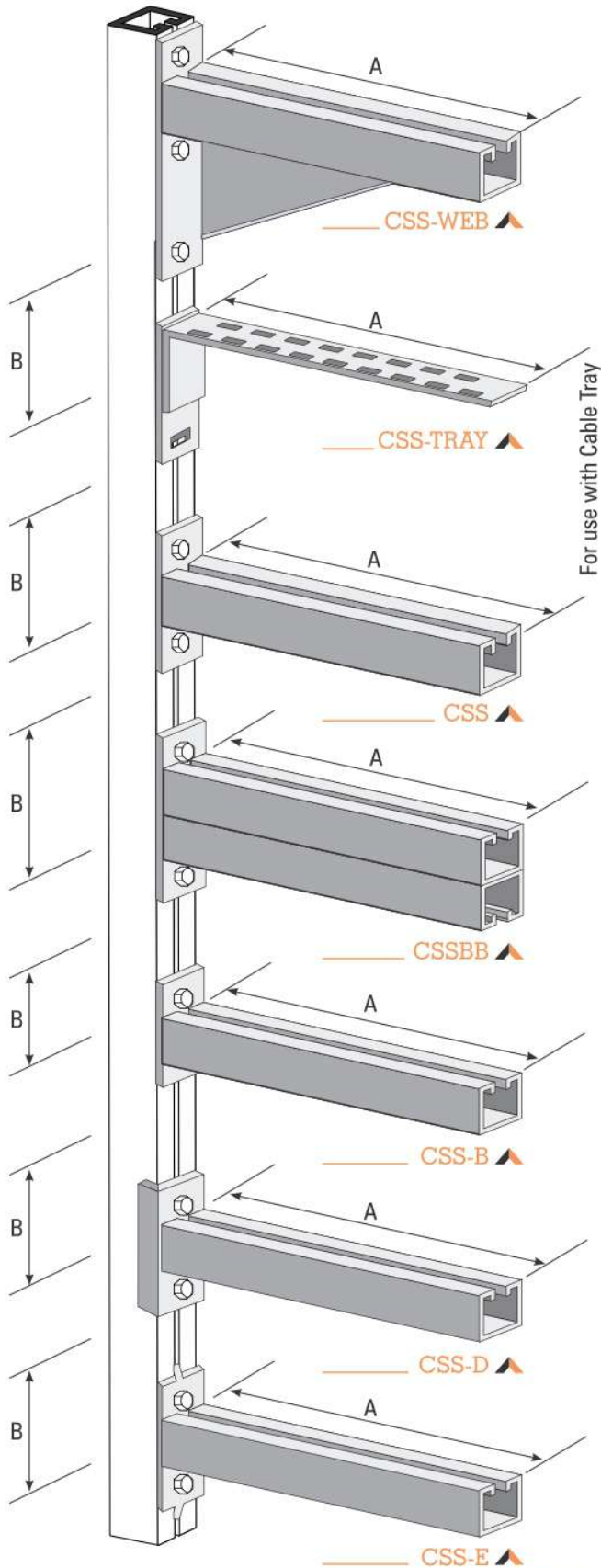
AVAILABLE IN PLAIN OR SLOTTED

Span or Column Unsupported High in mm	Uniform Load at 175 N/mm ² Stress. Kg	Deflection in mm at 175N/mm ²	Uniform Load at Max. Deflec. of 1/200th. Span. Kg	Uniform Load at Max. Deflec. of 1/360th. Span. Kg	Max. Load of Column Loaded @ Centroid kg	Max. Load of Column Loaded @ slot face kg
250	1558	0.26	-	-	8228	1834
500	779	1.07	-	-	7740	1809
750	519	2.42	-	446	6865	1756
1000	389	4.30	-	251	5367	1639
1250	311	6.72	289	160	3882	1468
1500	259	9.68	201	111	2838	1289
1750	222	13.18	147	82	2143	1123
2000	194	17.21	113	62	(1668)	(977)
2250	173	21.79	89	49	(1334)	(852)
2500	155	26.90	72	40	(1090)	(745)
2750	141	32.55	59	33	(906)	(655)
3000	129	38.73	50	27	-	-

Series	Weight	Material Thickness	Standard Lengths		Finishes				Area of Section	Elements of Section Axis X-X			Elements of Section Axis Y-Y		
			mm	3m	6m	PO	PG	GA		SS	cm ²	1cm ⁴	Zcm ³	cm	1cm ⁴
CSS-BB41	5.77	2.5	●	●	●	●	●	●	6.70	36.27	8.78	2.32	18.46	8.94	1.66
CSS-BB21	3.76	2.5	●	●	●	●	●	●	4.64	5.64	2.73	1.10	10.68	5.18	1.51

Load shown in brackets indicates slenderness ratio >180 <250

Cantilever Arms



There is a comprehensive range of cantilever arms available from CSS Limited. Cantilever Arms are mild steel hot dipped galvanized to BS EN 1461

All Cantilever Arms have a 14mm Fixing holes to suit M12, M10 or M8 bolts & nuts. They are manufactured from Mild Steel Channel Section, are Hot Dip Galvanized. Nominal back-plate thickness is 6mm.

Technical and loading data is available upon request

The standard stock profile of CSS Cantilever Arms is

GA = Hot dip galvanized after manufacture to BS EN ISO 1461

Other finishes add the following

SS = Stainless steel 316

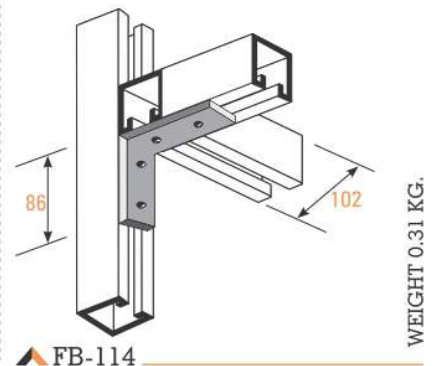
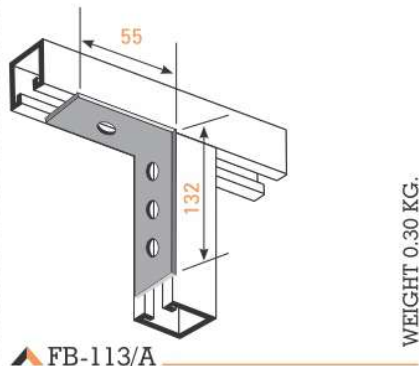
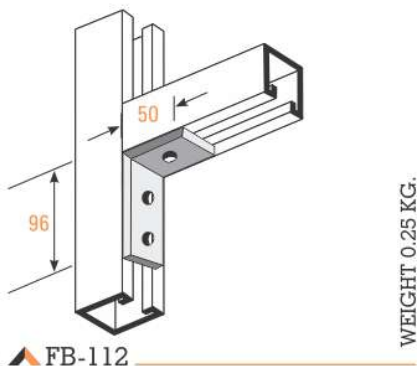
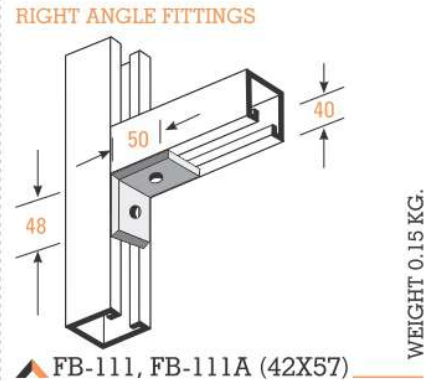
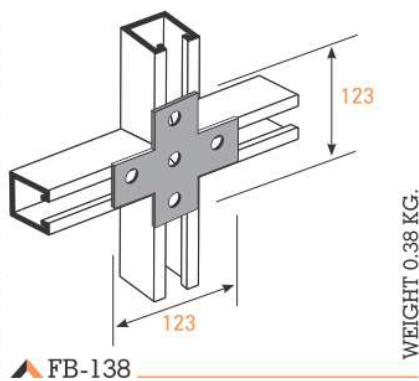
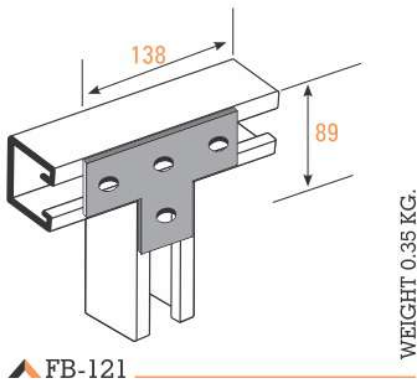
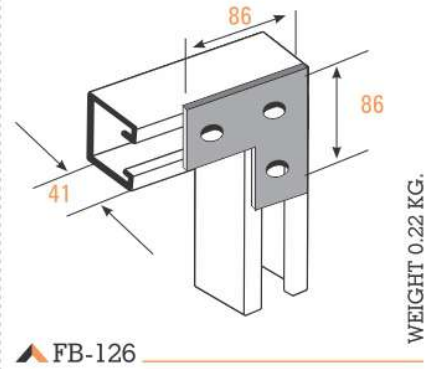
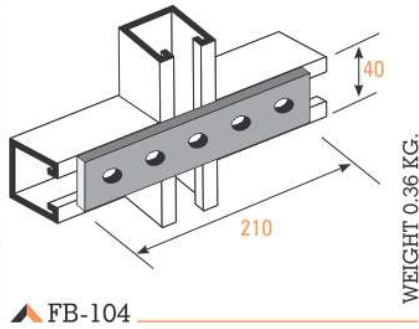
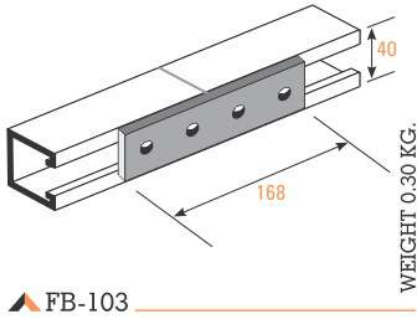
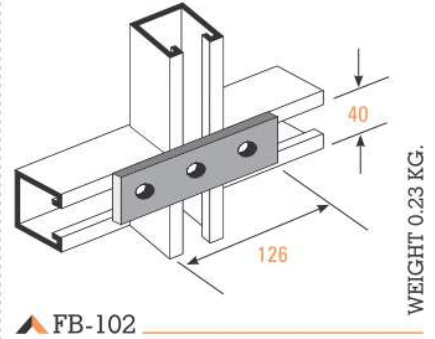
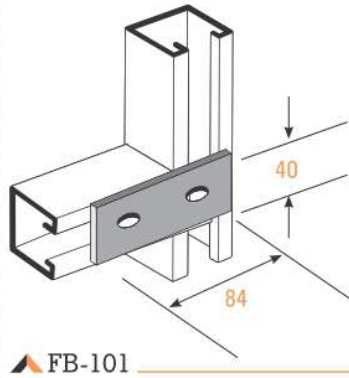
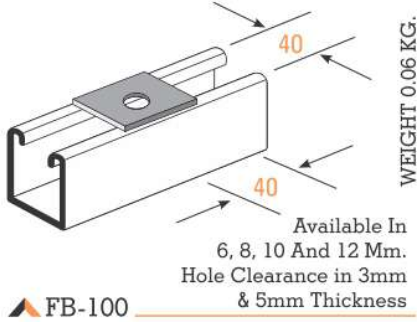
EC = Epoxy Painted Finish
PO = Plain Oiled Self Colour

Variable Lengths Available
150, 300, 450, 600, 750, 900, 1000mm

Channel Bracketry

(All Dimensions in mm)

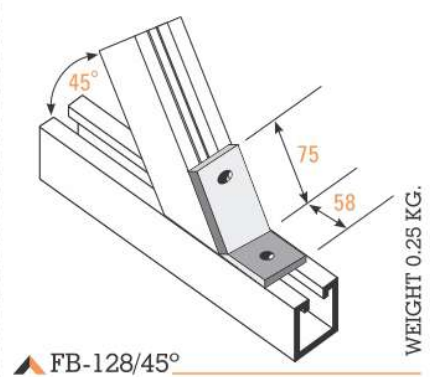
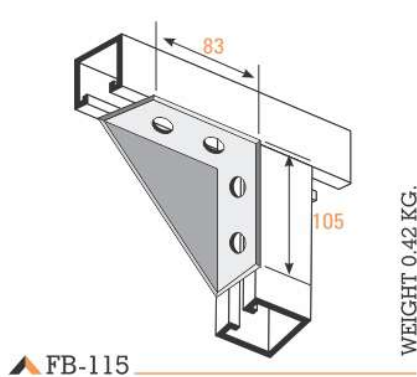
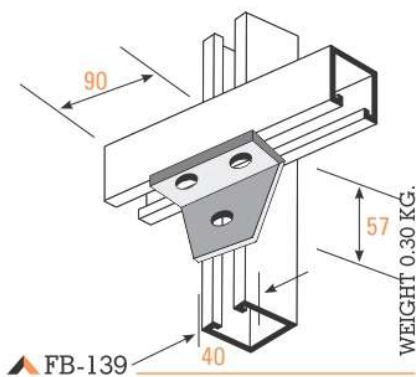
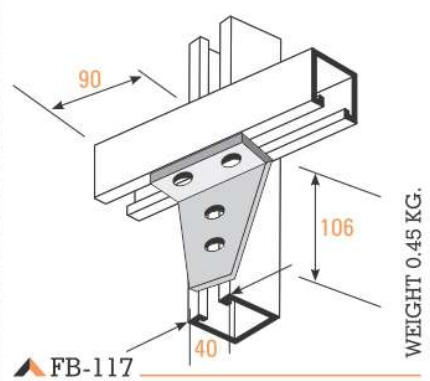
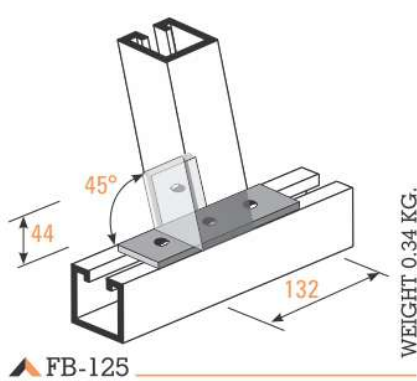
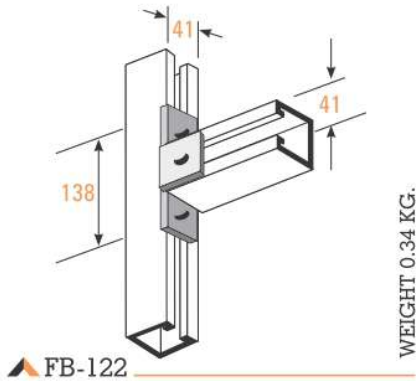
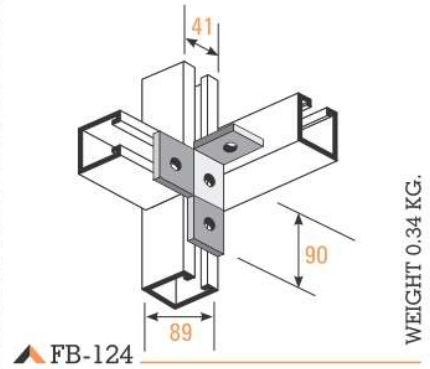
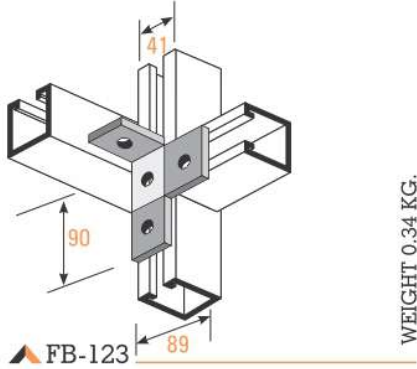
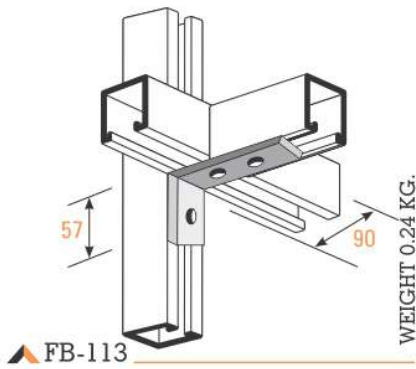
EXTERNAL PLATE AVAILABLE
IN GALV. & BZP



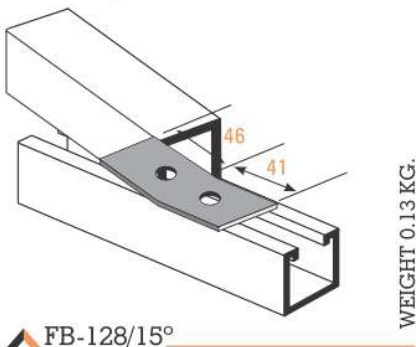
RIGHT ANGLE FITTINGS



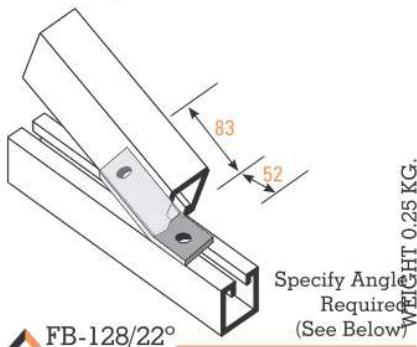
Channel Bracketry
(All Dimensions in mm)



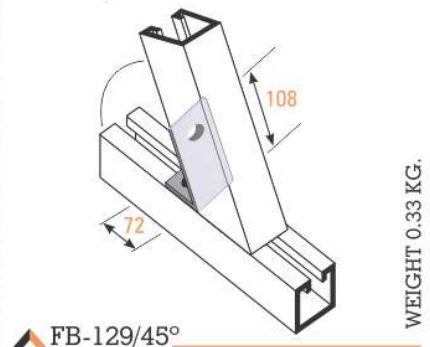
Obtuse Angle Bracket



Obtuse Angle Bracket



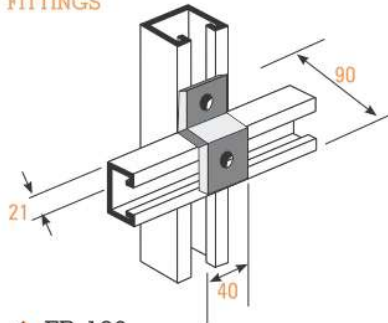
Acute Angle Bracket



Channel Bracketry

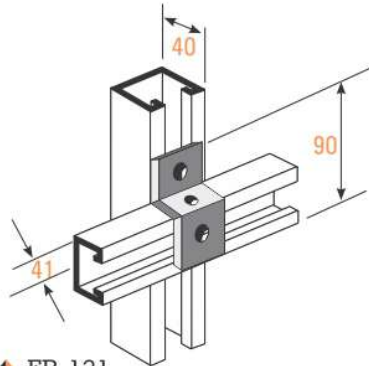
(All Dimensions in mm)

U AND Z FITTINGS



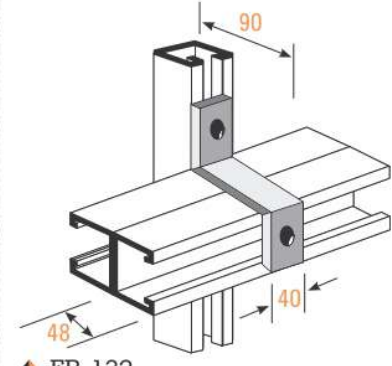
▲ FB-130

WEIGHT 0.19 KG.



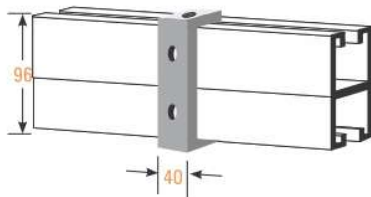
▲ FB-131

WEIGHT 0.23 KG.



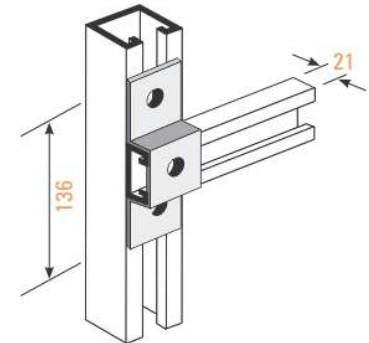
▲ FB-132

WEIGHT 0.28 KG.



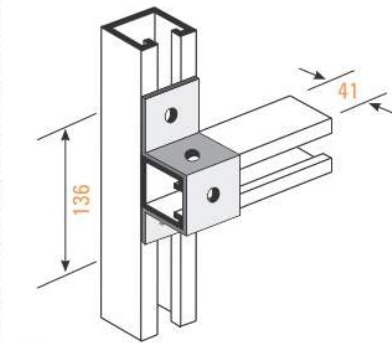
▲ FB-140

WEIGHT 0.30 KG.



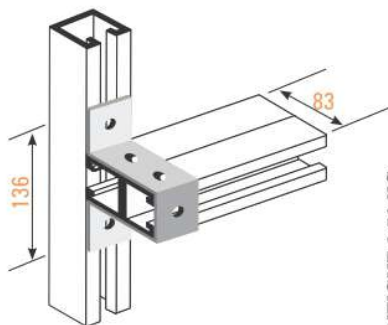
▲ FB-133

WEIGHT 0.28 KG.



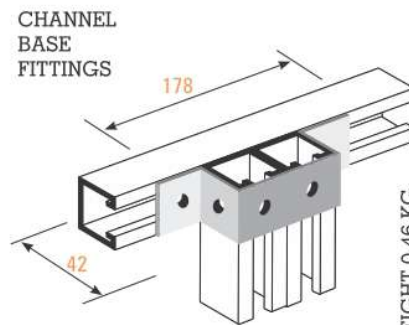
▲ FB-134

WEIGHT 0.36 KG.



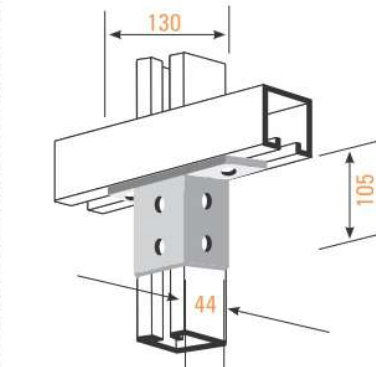
▲ FB-136

WEIGHT 0.50 KG.



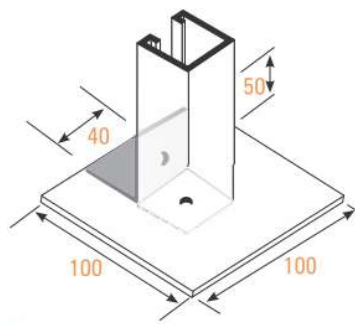
▲ FB-137

WEIGHT 0.46 KG.



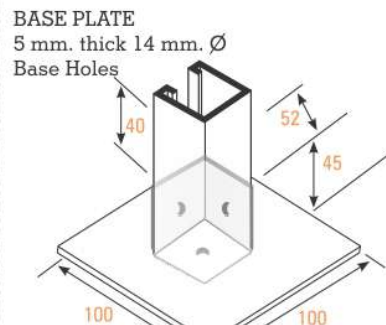
▲ FB-120

WEIGHT 0.66 KG.



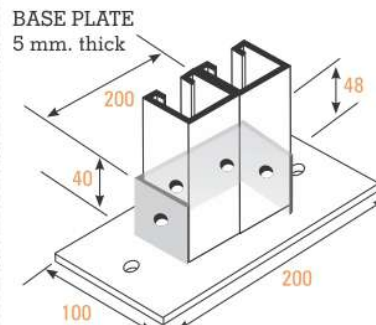
▲ FB-105

WEIGHT 0.55 KG.



▲ FB-106

WEIGHT 0.55 KG.



▲ FB-107

14 mm \varnothing Base Holes

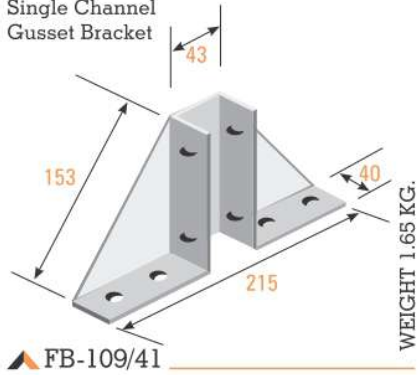
WEIGHT 1.15 KG.



Channel Bracketry

(All Dimensions in mm)

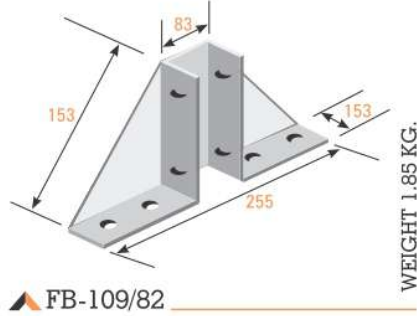
Single Channel Gusset Bracket



▲ FB-109/41

WEIGHT 1.65 KG.

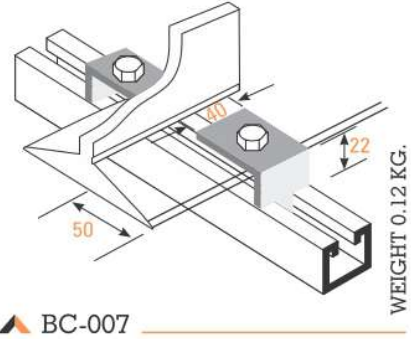
Double Channel Gusset Bracket



▲ FB-109/82

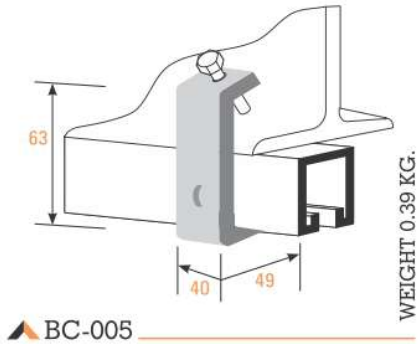
WEIGHT 1.85 KG.

BEAM CLAMPS



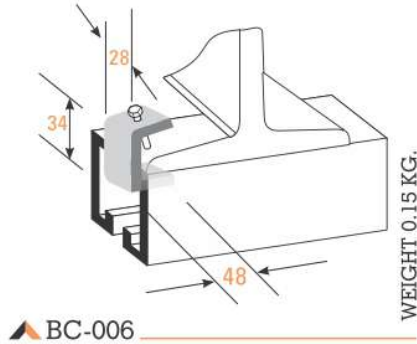
▲ BC-007

WEIGHT 0.12 KG.



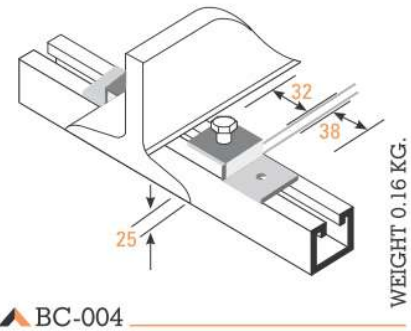
▲ BC-005

WEIGHT 0.39 KG.



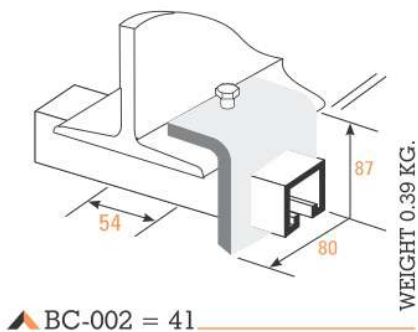
▲ BC-006

WEIGHT 0.15 KG.



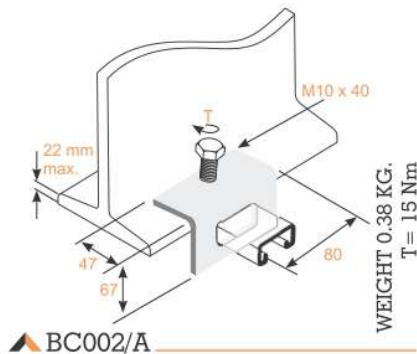
▲ BC-004

WEIGHT 0.16 KG.



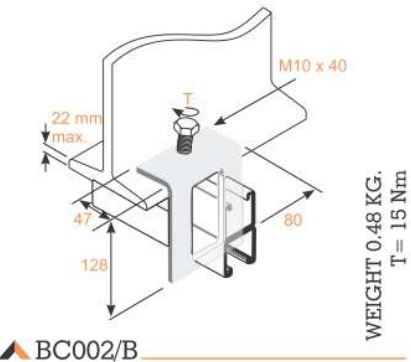
▲ BC-002 = 41

WEIGHT 0.39 KG.



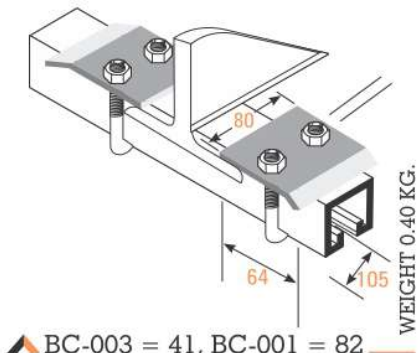
▲ BC002/A

WEIGHT 0.38 KG.
T = 15 Nm



▲ BC002/B

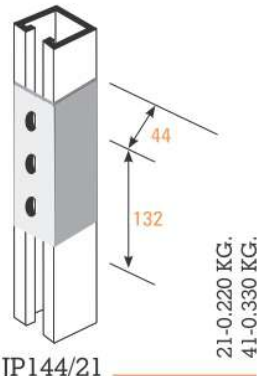
WEIGHT 0.48 KG.
T = 15 Nm



▲ BC-003 = 41, BC-001 = 82

WEIGHT 0.40 KG.

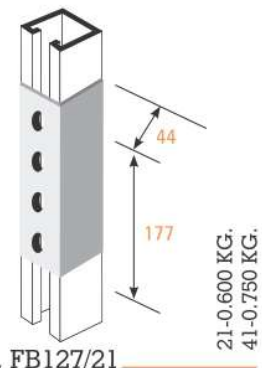
INTERNAL COUPLER



▲ JP143/41, JP144/21

21-0.220 KG.
41-0.330 KG.

EXTERNAL COUPLER



▲ FB127/41, FB127/21

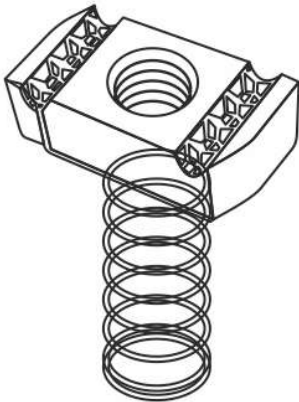
21-0.600 KG.
41-0.750 KG.

Channel Nuts
IN CARBON STEEL & STAINLESS STEEL

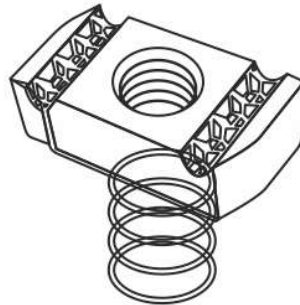


CHANNEL NUTS

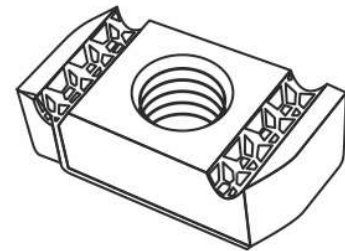
PLASTIC INTEGRATED CHANNEL NUT ASSY.
(SPECIAL ORDER)



LONG SPRING



SHORT SPRING



NO SPRING

For Use In :
All Channel Sections
& Concrete Inserts.

Channel Nuts are self centering and are manufactured from quality steel with zinc plated finish to BS 3382 Part 2
For best results use M 12 size. Recommended tightened tension is 5-7 Kgf.

Part No. Long Spring	Part No. Short Spring	Part No. No Spring	Thread Size	Material Thickness
CSS-CNLM6	CSS-CNS6	CSS-CNP6	6 mm.	6 mm.
CSS-CNLM8	CSS-CNS8	CSS-CNP8	8 mm.	6 mm.
CSS-CNLM10	CSS-CNS10	CSS-CNP10	10 mm.	8 mm.
CSS-CNLM12	CSS-CNS12	CSS-CNP12	12 mm.	10 mm.

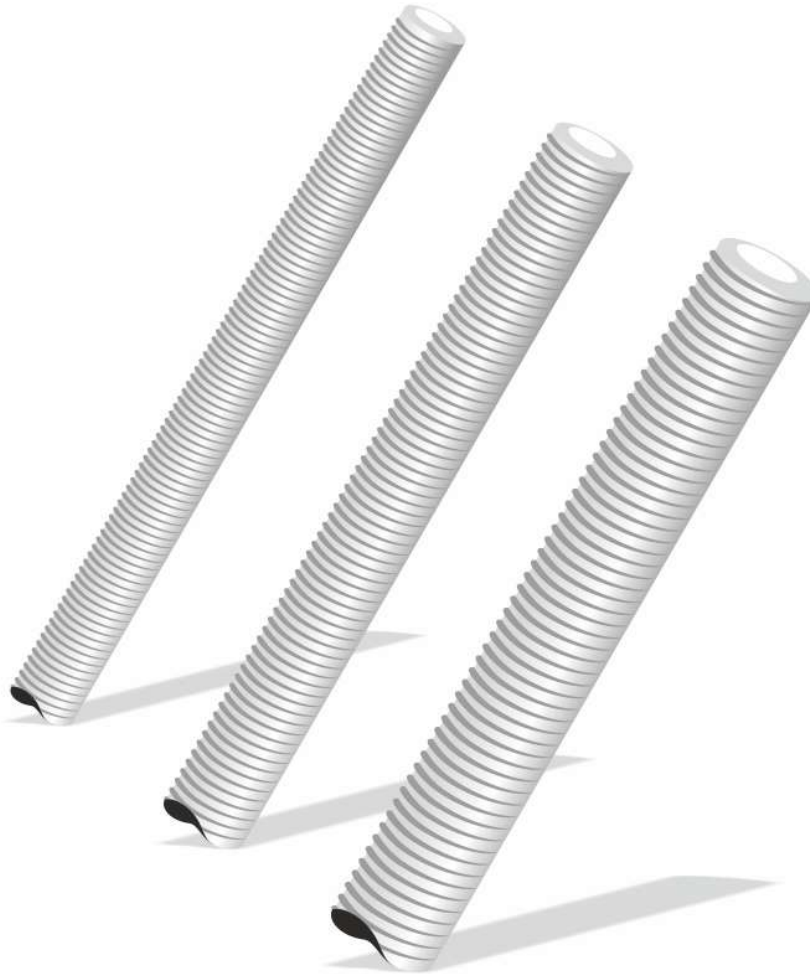
SOLD IN 100'S



Threaded Rod

CSS are market leaders on supply and distribution of threaded rod.
 CSS threaded bar is available in the following finishes from stock
 BZP Zinc Plated grade 4.6 to specification DIN975

SPECIAL ORDER	
GA	Hot dip galvanised
SS	Stainless Steel



Supplied in 1, 2 & 3 Metre Length Cut Lengths Available on Request



BUNDLE QUANTITIES	
M6	50 Pcs.
M8	25 Pcs.
M10	20 Pcs.
M12	10 Pcs.
M16	5 Pcs.
M20	5 Pcs.
M24	5Pcs.



Please Order in Bundle Quantities Only.



➤ Cable Tray Stand Off



Size : 50, 75, 100,
150, 225, 300mm
HOT DIP GALVANISED GA

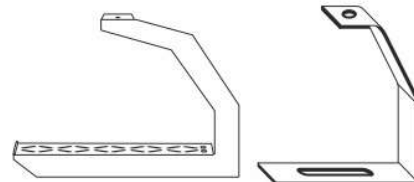
CSS-TSB

Stand Off Bracket

CODE	CABLE TRAY STAND OFF
TSB50	50 MM TRAY STAND OFF BRACKETS
TSB75	75 MM TRAY STAND OFF BRACKETS
TSB100	100 MM TRAY STAND OFF BRACKETS
TSB150	150 MM TRAY STAND OFF BRACKETS
TSB225	225 MM TRAY STAND OFF BRACKETS
TSB300	300 MM TRAY STAND OFF BRACKETS

CODE	OVERHEAD HANGERS
OH3	3 INCH TRAY OVERHEAD HANGERS
OH4	4 INCH TRAY OVERHEAD HANGERS
OH6	6 INCH TRAY OVERHEAD HANGER
OH9	9 INCH TRAY OVERHEAD HANGER
OH12	12 INCH TRAY OVERHEAD HANGER

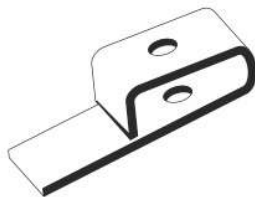
Overhead Hangers



50mm, 75mm, 100mm,
150mm, 225mm, 300mm
HOT DIP GALVANISED GA

➤ CSS-OH

HARDENED CONE POINTED
SET SCREWS
8.8 HT M10 x 40mm.



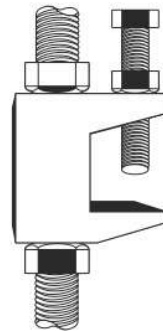
PC11
Weight 0.080 Kg.

➤ Purlin Clip (BZP)



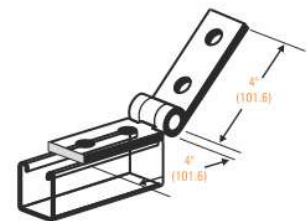
➤ Cone Point Screw

8mm, 10mm, 12mm
ROD CLEARANCE HOLES
FC II U.L APPROVED



➤ Flange Clamps

ADJUSTABLE
HINGECONNECTION



➤ FB1 14 Hinged

AVAILABLE IN BLACK & WHITE
SOLD IN 100'S



CSS1954

➤ End Cap-PVC

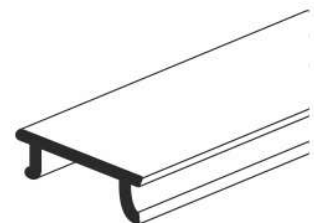
PLASTIC COVER CAPS FOR STUDDING,
AVAILABLE IN BLACK
OR WHITE.



SIZE : M8, M10, M12

➤ Studding Protection Caps

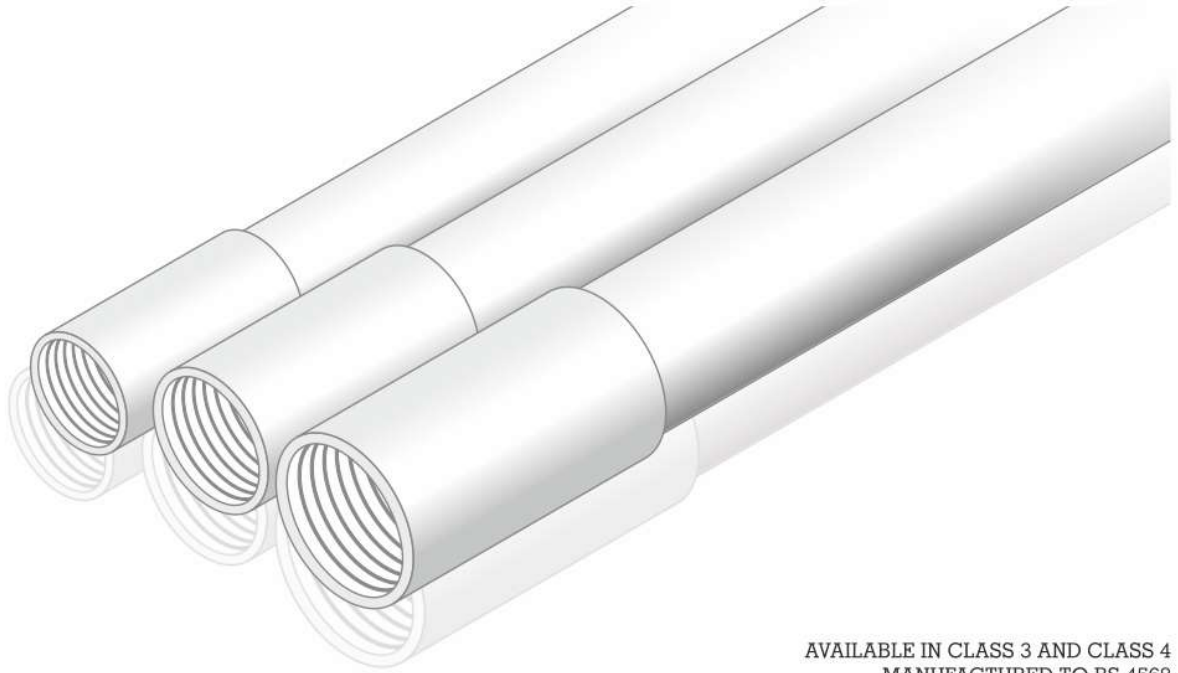
AVAILABLE IN
BLACK & WHITE



Length : 3 Mtrs. 41mm Wide
PVC Strut Lid

➤ Pvc Lid

20MM X 3.0 MTR
25MM X 3.0 MTR
20MM X 3.75 MTR
25MM X 3.75 MTR



AVAILABLE IN CLASS 3 AND CLASS 4
MANUFACTURED TO BS 4568



Steel To BS4568

Dimensions

3m x 20mm / 3m x 25mm
3,75m x 20mm / 3,75m x 25mm
Available from Stock



Class 3 - Pre-galvanised sheet steel.
Class 4 - Hot dipped galvanised inside and outside.

Steel Conduit

Galvanised heavy gauge welded steel conduit. Threaded at both ends and supplied with one coupling per 3.75 m length with the choice of 20 mm or 25 mm sizes. A wide selection of fittings and accessories are available to assist in the most demanding or effortless installations.

* Conforms to BS4568





Declaration of Test Results

BSI hereby declares that the items described below have been tested by BSI and comply with the requirements of

BS EN 61386-21:2004+A11:2010 Clauses 7.6, 8.1, 9.1, 10.4, 11.2 and 14.2

The complete detail of the tests performed and the results are recorded in BSI Test Report Number: 286/7454901 Dated 23 December 2009

Description of item tested:

*15 off 1 metre lengths of 20mm diameter Galvanised Steel Conduit
15 off 1 metre lengths of 25mm diameter Galvanised Steel Conduit*

Submitted by: *Corbetts Support Solutions Limited
Unit 100 Halfords Lane
West Bromwich
West Midlands
B66 1BB*

Declaration authorised by:

G R Essam

Title *Principal Engineer*

Date *09 February 2015*

Attention is drawn to the conditions upon which this declaration is issued, namely:

1. This declaration does not indicate provide or imply any measure of Approval, Certification, Supervision, Control or Surveillance by BSI to this or any related product.

2. This Declaration applied only to the particular sample tested and to the specific tests carried out as detailed in the Report referred to above.

3. The general and specific conditions of the BSI CP0322 apply in all respects. Copies of this leaflet are available on request.

BSI, Maylands Avenue, Hemel Hempstead, Hertfordshire HP2 4SQ

...making excellence a habit.™



Malleable Conduit Boxes

(Screw on only type) - Available in galvanised steel - All our boxes conform to BS EN 50086

Terminal Box



SIZE	GALV.
20mm	BB1/20G
25mm	BB1/25G

Through Box



SIZE	GALV.
20mm	BB2/20G
25mm	BB2/25G

Angle Box



SIZE	GALV.
20mm	BB3/20G
25mm	BB3/25G

Tee Box



SIZE	GALV.
20mm	BB4/20G
25mm	BB4/25G

Intersection Box



SIZE	GALV.
20mm	BB5/20G
25mm	BB5/25G

U Box



SIZE	GALV.
20mm	BB6/20G
25mm	BB6/25G

Tangent Tee Box



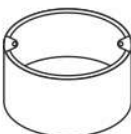
SIZE	GALV.
20mm	BB7/20G
25mm	BB7/25G

Tangent Angle Box



SIZE	GALV.
20mm	BB8/20G
25mm	BB8/25G

Tangent Angle Box



SIZE	GALV.
6mm	ER6G
10mm	ER10G
13mm	ER13G
16mm	ER16G
20mm	ER20G
25mm	ER25G
32mm	ER32G
50mm	ER50G

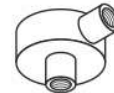
Back Outlet Box

SIZE	GALV.
20mm	BB9/20G



Terminal Back Outlet Box

SIZE	GALV.
20mm	BB10/20G



Through Back Outlet Box

SIZE	GALV.
20mm	BB11/20G



Angle Back Outlet Box

SIZE	GALV.
20mm	BB12/20G



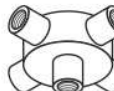
Tee Back Outlet Box

SIZE	GALV.
20mm	BB13/20G



Intersection Back Outlet Box

SIZE	GALV.
20mm	BB14/20G



Extension Terminal Box

SIZE	GALV.
20mm	BB15/20G



Extension Through Box

SIZE	GALV.
20mm	BB16/20G



Extension Angle Box

SIZE	GALV.
20mm	BB17/20G



Extension Tee Box

SIZE	GALV.
20mm	BB18/20BE



Extension Intersection Box

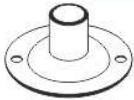
SIZE	GALV.
20mm	BB19/20G



Malleable Conduit Boxes

(Screw on only type) - Available in galvanised steel - All our boxes conform to BS EN 50086

Dome Covers



SIZE	GALV.
20mm	DC1G

Hook Plate



SIZE	GALV.
20mm	HKPG

Male Hooks-Screwed



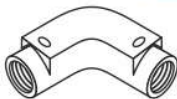
SIZE	GALV.
20mm	MHKPG

Inspection Bend



SIZE	GALV.
20mm	IB20G
25mm	IB25G

Inspection Elbow



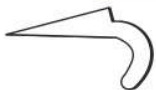
SIZE	GALV.
20mm	IB20G
25mm	IB25G

Inspection Tee



SIZE	GALV.
20mm	IT20G
25mm	IT25G

Crampets-Flat



SIZE	GALV.
20mm	CP20G
25mm	CP25G

Locknut-Light Hexagon



SIZE	GALV.
20mm	LN1G
25mm	LN2G
32mm	LN3G
1 1/2"	LN4G
2"	LN5G

Lock Ring-Milled Edge



SIZE	GALV.
20mm	--
25mm	--
32mm	--
1 1/2"	--
2"	--

Screwed Nipples



SIZE	GALV.
20mm	--
25mm	--

Drawing Tape



SIZE	NYLON
20 Mtrs	NDT

SIZE	GALV.
20mm	HP20G
25mm	HP25G

Hexagonal Plug



SIZE	GALV.
20mm (M)-3/4"(F)	MFA1G
3/4"(M)-20mm(F)	MFA2G
25mm(M)-1"(F)	MFA3G
1"(M)-25mm(F)	MFA4G

Male-female Adaptor



SIZE	GALV.
20mm	JC8G
25mm	JC10G

Jack Chain-10 mtrs



SIZE	GALV.
20mm	SPB20G
25mm	SPB25G
32mm	SPB32G
1 1/2"	SPB1.5G
2"	SPB2G

Spacer Bar Saddles



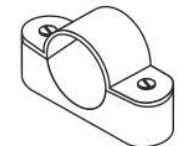
SIZE	GALV.
20mm	PLS20G
25mm	PLS25G
32mm	PLS32G
1 1/2"	PLS1.5G
2"	PLS2G

Light/Plain Saddles



SIZE	GALV.
20mm	SPB20G
25mm	SPB25G
32mm	SPB32G
1 1/2"	SPB1.5G
2"	SPB2G

Distance Saddles



SIZE	GALV.
Steel	BSCG

Ball & Socket Cover



SIZE	GALV.
20mm	SC20G
25mm	SC25G
32mm	SC32G
1 1/2"	SC1.5G
2"	SC2G

Solid Couplers



SIZE	GALV.
20mm	FC20G
25mm	FC25G

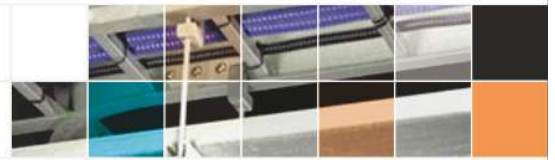
Flanged Couplers



SIZE	GALV.
20mm	EAC20G
25mm	EAC25G

Earth Couplers





CSS Cable Tray

The unique, tight return edge of CSS cable tray eliminates cable snagging and adds strength. The product incorporates a distinctive slot pattern which in return CSS cable tray provides installers with total flexibility for the positioning of nuts and bolts, cable ties and all ancillary items. The system is designed to compliment our other products offering flexibility in all installations.

Available in three profiles, from light duty through to heavy duty, each system is supported by a comprehensive range of fittings that incorporate integral couplers where suitable. Couplers are required for all cable tray types and we offer a choice of wrap over and internal for straight lengths on medium duty and heavy duty tray.

FINISHES

From Stock :

GA Hot dip galvanised after manufacture to BS EN ISO 1461

PG Pre-galvanised steel to BS EN 10327

Additional finishes to special order :

SS Stainless steel 316

EC Epoxy Powder coated

Technical Information

Light duty Cable Trays

25mm deep by 3m long

Standard widths :

50, 75, 100, 150, 225 and 300

Standard Depth 25mm

All CSS Standard Cable trays require couplers to fix.

Accessories include integral couplers.

Standard finishes (PG/HG)

Other finishes (SS/EC)

Medium duty Cable Trays

25mm deep by 3m long

Standard widths :

50, 75, 100, 150, 225, 300, 450 and 600

Other widths upon request

Standard Depth 25mm

All CSS Medium Duty Cable trays require couplers to fix.

Accessories include integral couplers.

Standard finishes (PG/HG)

Other finishes (SS/EC)

Heavy duty Cable Trays

50mm deep by 3m long

Standard widths :

50, 75, 100, 150, 225, 300, 450 and 600

Other widths upon request

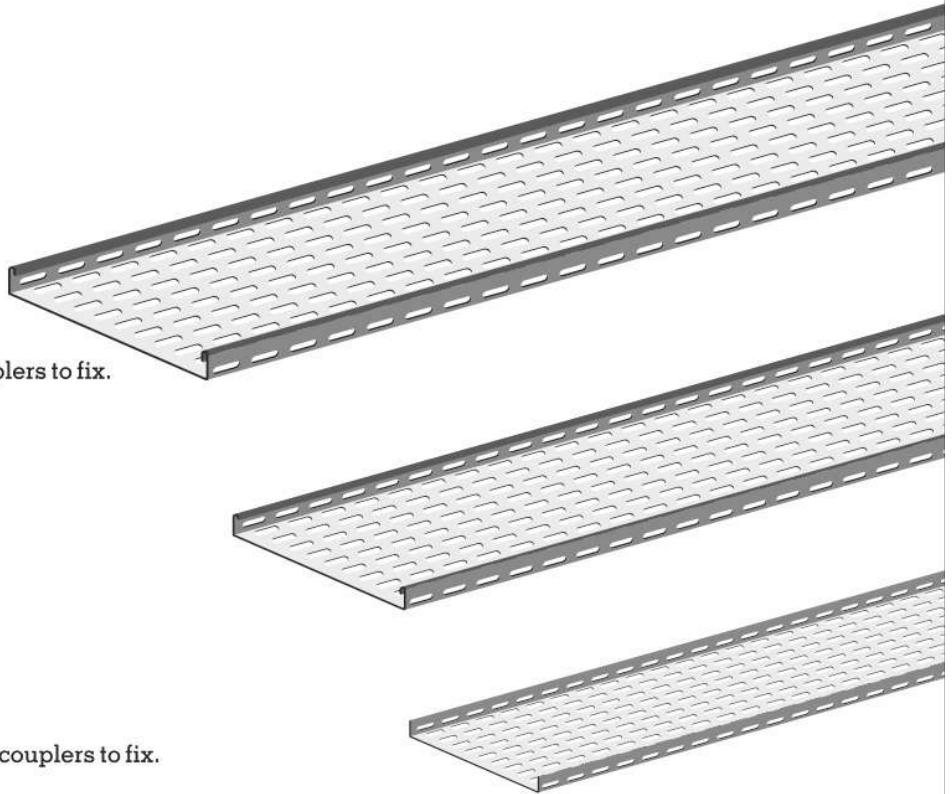
Standard Depth 25mm

All CSS Standard Cable trays require couplers to fix.

Accessories include integral couplers

Standard finishes (PG/HG)

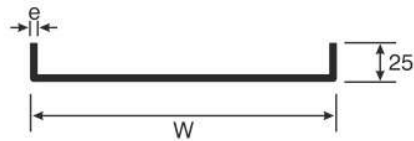
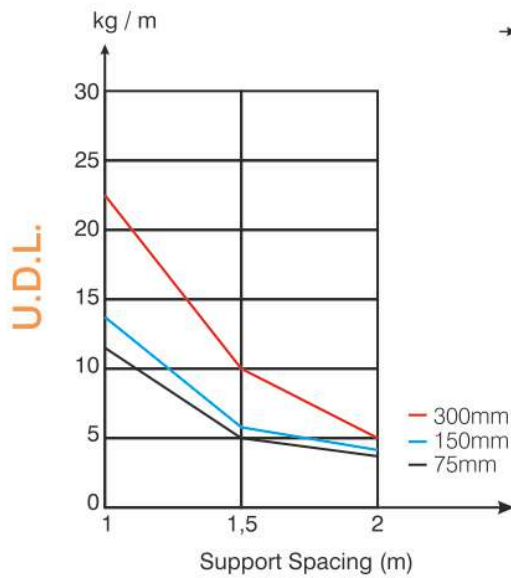
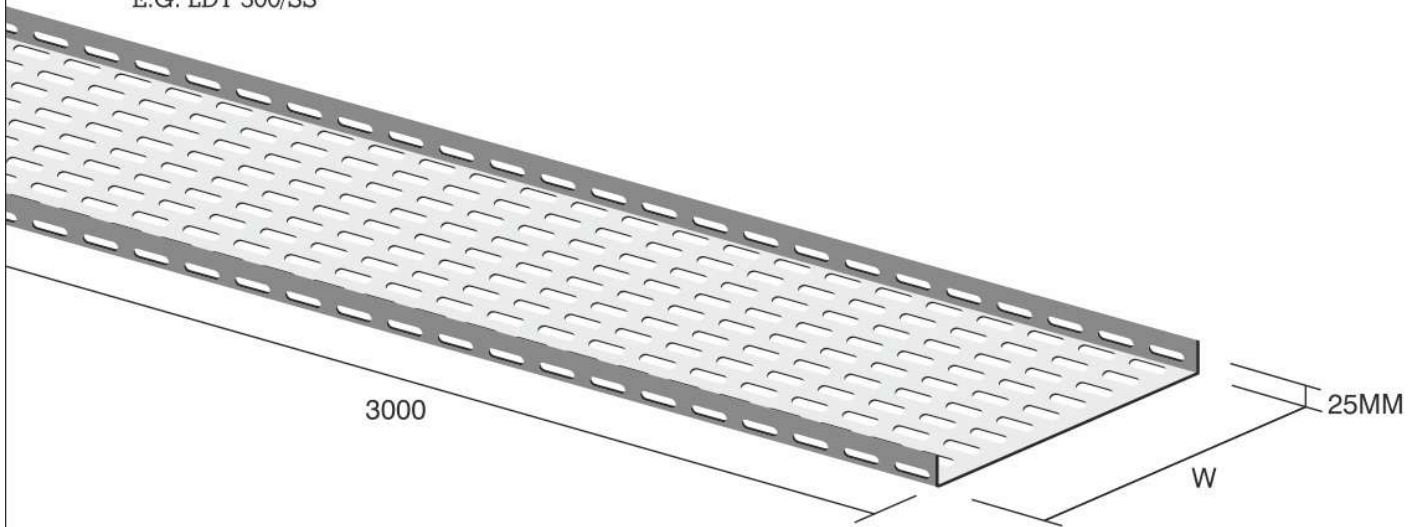
Other finishes (SS/EC)



► Light Duty Type Cable Trays —

WIDTH	LENGTH	PART NO.	kg/m	FINISH	kg/m
50	3MM	LDT 50	0,52	GA/PG/SS/EC	0,57
75	3MM	LDT 75	0,64	GA/PG/SS/EC	0,71
100	3MM	LDT 100	0,76	GA/PG/SS/EC	0,84
150	3MM	LDT 150	1,00	GA/PG/SS/EC	0,10
225	3MM	LDT 225	1,37	GA/PG/SS/EC	0,51
300	3MM	LDT 300	1,73	GA/PG/SS/EC	0,90

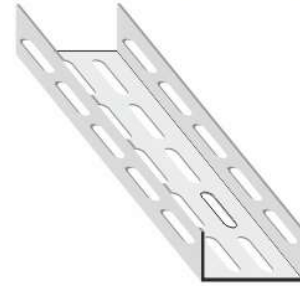
E.G. LDT 300/SS



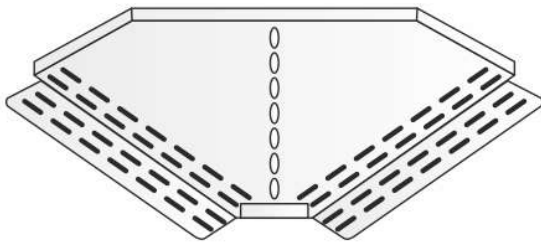


Light Duty Cable Tray

CODE	LIGHT DUTY CABLE TRAY	SIZE
LDT2	Cable Tray W=50 H=25L=3000	3M
LDT3	Cable Tray W=75 H=25L=3000	3M
LDT4	Cable Tray W=100 H=25L=3000	3M
LDT6	Cable Tray W=150 H=25L=3000	3M
LDT9	Cable Tray W=225 H=25L=3000	3M
LDT12	Cable Tray W=300 H=25L=3000	3M
COUP1	Joint Connector	pairs
	Round Head Bolt	sts.



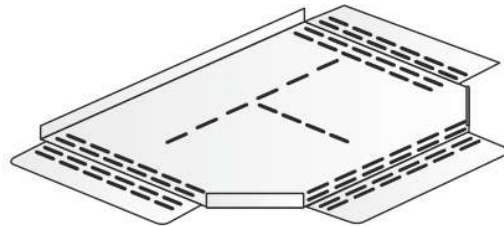
90° Flat Bend



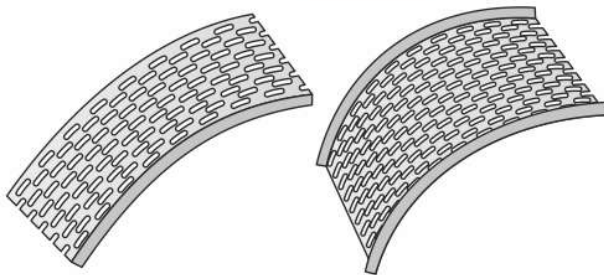
CODE	90° FLAT BEND	SIZE
LDT2B	50MM FLAT BEND90°	EA
LDT3B	75MM FLAT BEND90°	EA
LDT4B	100MM FLAT BEND90°	EA
LDT6B	150MM FLAT BEND90°	EA
LDT9B	225MM FLAT BEND90°	EA
LDT12B	300MM FLAT BEND90°	EA

CODE	EQUAL TEE	SIZE
LDT2ET	50MM EQUAL TEE	EA
LDT3ET	75MM EQUAL TEE	EA
LDT4ET	100MM EQUAL TEE	EA
LDT6ET	150MMEQUAL TEE	EA
LDT9ET	225MM EQUAL TEE	EA
LDT12ET	300MM EQUAL TEE	EA

Equal Tee



Inside/outside Risers



CODE	INSIDE/OUTSIDE RISERS	SIZE
LDT2IR/OR	50MM INSIDE/OUTSIDE RISERS	EA
LDT3IR/OR	75MM INSIDE/OUTSIDE RISERS	EA
LDT4IR/OR	100MM INSIDE/OUTSIDE RISERS	EA
LDT6IR/OR	150MMINSIDE/OUTSIDE RISERS	EA
LDT9IR/ER	225MM INSIDE/OUTSIDE RISERS	EA
LDT12IR/ER	300MM INSIDE/OUTSIDE RISERS	EA

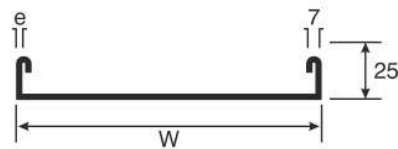
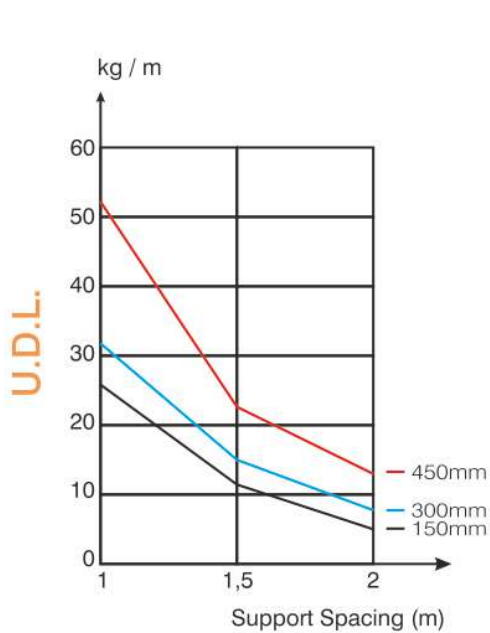
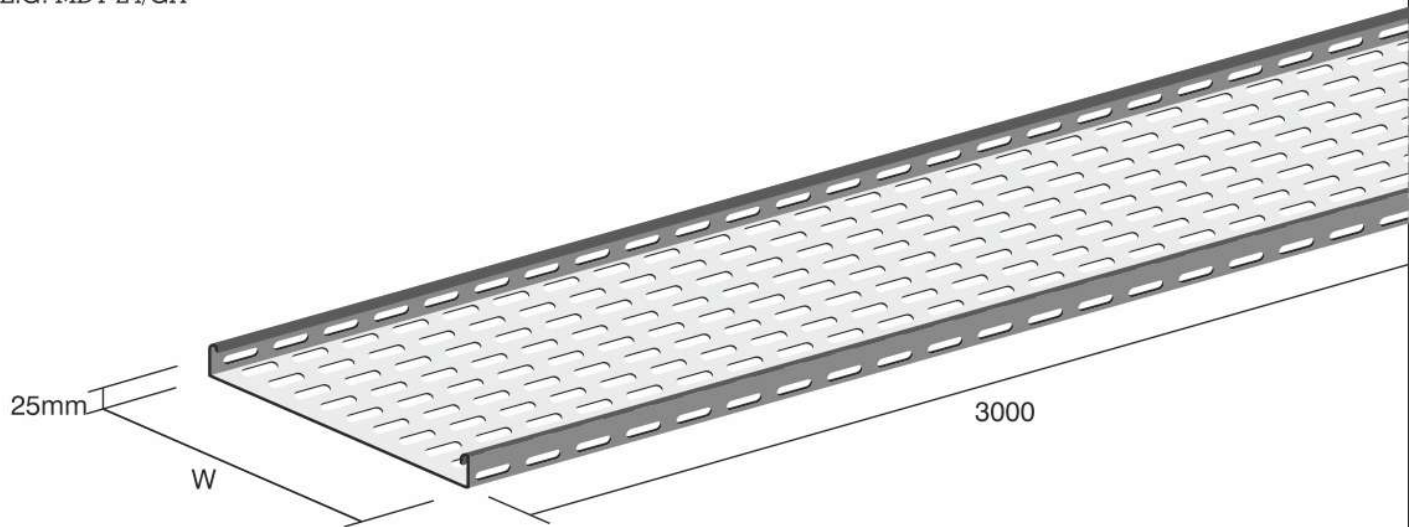
Couplers



➤ Medium Duty Type Cable Trays —

WIDTH	LENGTH	PART NO.	kg/m	FINISH	kg/m
50	3MM	MDT 2	0,67	GA/PG/SS/EC	0,92
75	3MM	MDT 3	0,78	GA/PG/SS/EC	1,07
100	3MM	MDT 4	0,90	GA/PG/SS/EC	1,24
150	3MM	MDT 6	1,15	GA/PG/SS/EC	1,58
225	3MM	MDT 9	1,51	GA/PG/SS/EC	2,08
300	3MM	MDT 12	2,35	GA/PG/SS/EC	2,57
450	3MM	MDT 18	5,01	GA/PG/SS/EC	5,36
600	3MM	MDT 24	6,53		7,18

E.G. MDT 24/GA

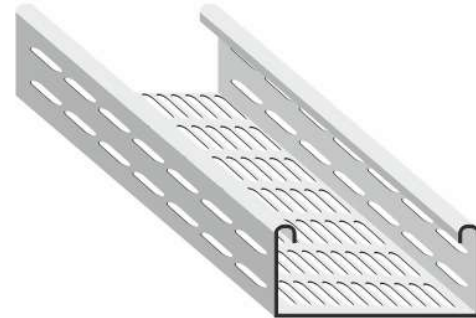




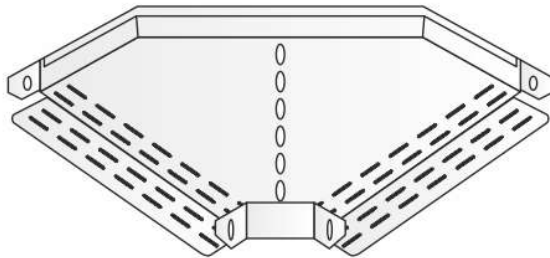
CABLE TRAY & ACCESSORIES

— Medium Duty Cable Tray

CODE	MEDIUM DUTY CABLE TRAY	SIZE
MDT2	Cable Tray W=50 H=25 L=3000	3M
MDT3	Cable Tray W=75 H=25 L=3000	3M
MDT4	Cable Tray W=100 H=25 L=3000	3M
MDT6	Cable Tray W=150 H=25 L=3000	3M
MDT9	Cable Tray W=225 H=25 L=3000	3M
MDT12	Cable Tray W=300 H=25 L=3000	3M
MDT18	Cable Tray W=450 H=25 L=3000	3M
MDT24	Cable Tray W=600 H=25 L=3000	3M
MDT30	Cable Tray W=750 H=25 L=3000	3M
COUP1	Joint Connector	pairs
	Round Head Bolt	sts



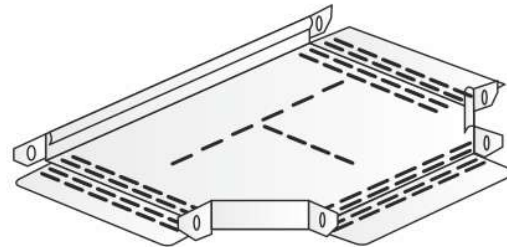
➤ 90° Flat Bend



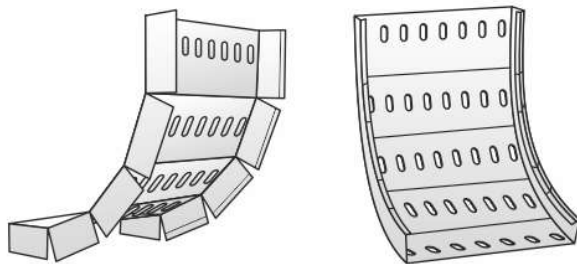
CODE	90° FLAT BEND	SIZE
MDT2B	50MM FLAT BEND90°	EA
MDT3B	75MM FLAT BEND90°	EA
MDT4B	100MM FLAT BEND90°	EA
MDT6B	150MM FLAT BEND90°	EA
MDT9B	225MM FLAT BEND90°	EA
MDT12B	300MM FLAT BEND90°	EA
MDT18B	400MM FLAT BEND90°	EA
MDT24B	600MM FLAT BEND90°	EA
MDT30B	750MM FLAT BEND90°	EA

CODE	EQUAL TEE	SIZE
MDT2ET	50MM EQUAL TEE	EA
MDT3ET	75MM EQUAL TEE	EA
MDT4ET	100MM EQUAL TEE	EA
MDT6ET	150MMEQUAL TEE	EA
MDT9ET	225MM EQUAL TEE	EA
MDT12ET	300MM EQUAL TEE	EA
MDT18ET	450MMEQUAL TEE	EA
MDT24ET	600MM EQUAL TEE	EA
MDT30ET	750MM EQUAL TEE	EA

— Equal Tee

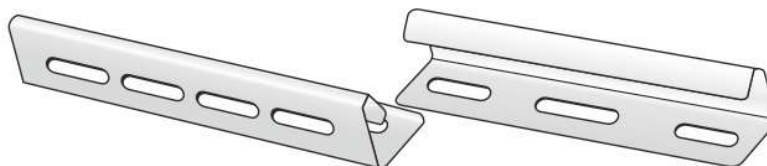


➤ Inside/outside Risers



CODE	INSIDE/OUTSIDE RISERS	SIZE
MDT2ER/IR	50MM INSIDE/OUTSIDE RISERS	EA
MDT3ER/IR	75MM INSIDE/OUTSIDE RISERS	EA
MDT4ER/IR	100MM INSIDE/OUTSIDE RISERS	EA
MDT6ER/IR	150MMINSIDE/OUTSIDE RISERS	EA
MDT9ER/IR	225MM INSIDE/OUTSIDE RISERS	EA
MDT12ER/IR	300MM INSIDE/OUTSIDE RISERS	EA
MDT18ER/IR	450MMINSIDE/OUTSIDE RISERS	EA
MDT24ER/IR	600MM INSIDE/OUTSIDE RISERS	EA
MDT30ER/IR	750MM INSIDE/OUTSIDE RISERS	EA

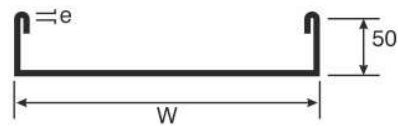
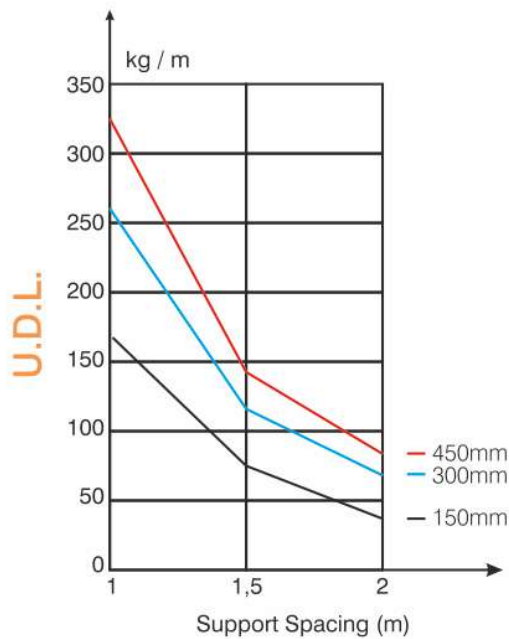
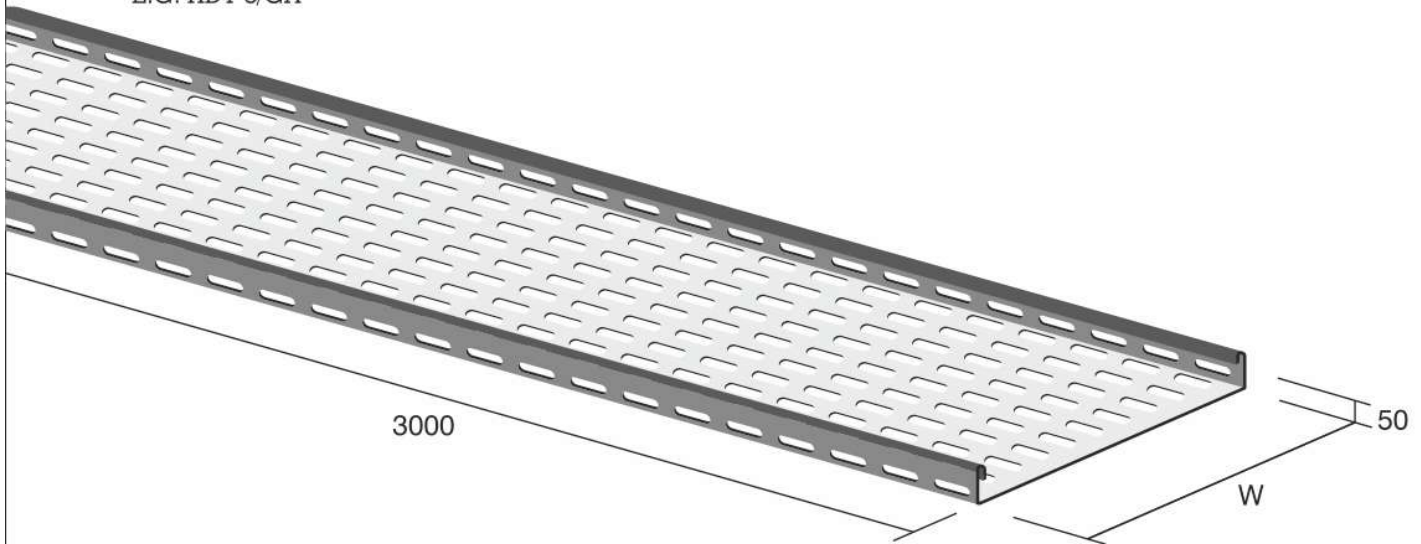
— Couplers



➤ Heavy Duty Type Cable Trays —

WIDTH	LENGTH	PART NO.	kg/m	FINISH	kg/m
75	3MM	HDT 3	1,03	GA/PG/SS/EC	1,42
100	3MM	HDT 4	1,15	GA/PG/SS/EC	1,59
150	3MM	HDT 6	1,40	GA/PG/SS/EC	1,92
225	3MM	HDT 9	2,34	GA/PG/SS/EC	3,63
300	3MM	HDT 12	3,21	GA/PG/SS/EC	4,38
450	3MM	HDT 18	5,35	GA/PG/SS/EC	7,84
600	3MM	HDT 24	7,00	GA/PG/SS/EC	10,26

E.G. HDT 3/GA

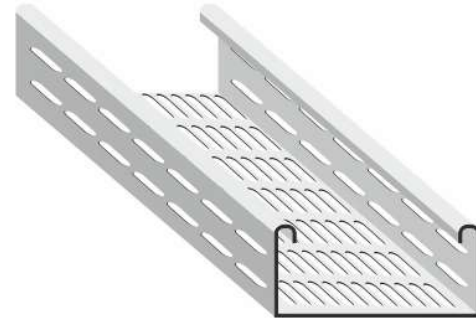




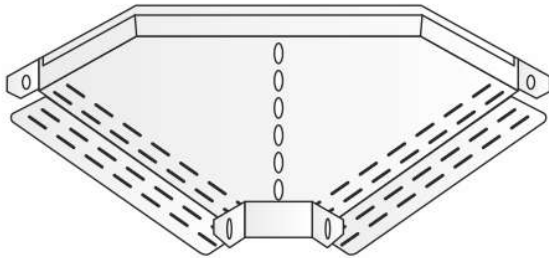
CABLE TRAY & ACCESSORIES

Heavy Duty Cable Tray

CODE	HEAVY DUTY CABLE TRAY	SIZE
HDT3	Cable Tray W=75 H=50 L=3000	3M
HDT4	Cable Tray W=100 H=50 L=3000	3M
HDT6	Cable Tray W=150 H=50 L=3000	3M
HDT9	Cable Tray W=225 H=50 L=3000	3M
HDT12	Cable Tray W=300 H=50 L=3000	3M
HDT18	Cable Tray W=450 H=50 L=3000	3M
HDT24	Cable Tray W=600 H=50 L=3000	3M
HDT30	Cable Tray W=750 H=50 L=3000	3M
COUP2	Joint Connector	pairs
	Round Head Bolt	sts.



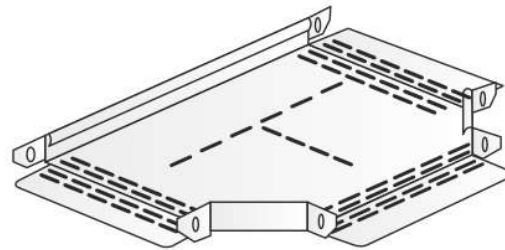
90° Flat Bend



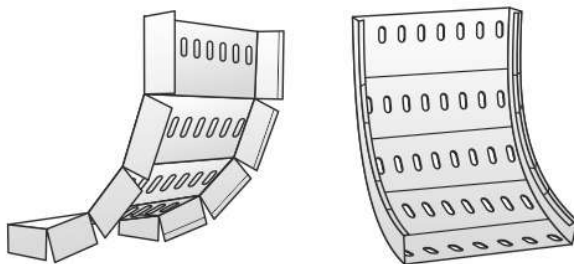
CODE	90° FLAT BEND	SIZE
HDT2B	50MM FLAT BEND90°	EA
HDT3B	75MM FLAT BEND90°	EA
HDT4B	100MM FLAT BEND90°	EA
HDT6B	150MM FLAT BEND90°	EA
HDT9B	225MM FLAT BEND90°	EA
HDT12B	300MM FLAT BEND90°	EA
HDT18B	400MM FLAT BEND90°	EA
HDT24B	600MM FLAT BEND90°	EA
HDT30B	750MM FLAT BEND90°	EA

CODE	EQUAL TEE	SIZE
HDT2ET	50MM EQUAL TEE	EA
HDT3ET	75MM EQUAL TEE	EA
HDT4ET	100MM EQUAL TEE	EA
HDT6ET	150MMEQUAL TEE	EA
HDT9ET	225MM EQUAL TEE	EA
HDT12ET	300MM EQUAL TEE	EA
HDT18ET	450MMEQUAL TEE	EA
HDT24ET	600MM EQUAL TEE	EA
HDT30ET	750MM EQUAL TEE	EA

Equal Tee

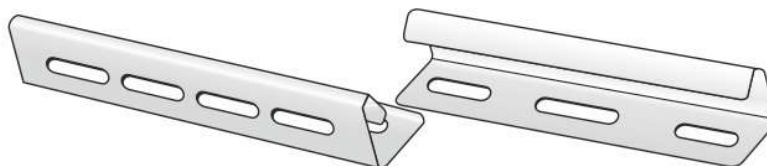


Inside/outside Risers



CODE	INSIDE/OUTSIDE RISERS	SIZE
HDT2ER/IR	50MM INSIDE/OUTSIDE RISERS	EA
HDT3ER/IR	75MM INSIDE/OUTSIDE RISERS	EA
HDT4ER/IR'	100MM INSIDE/OUTSIDE RISERS	EA
HDT6ER/IR	150MMINSIDE/OUTSIDE RISERS	EA
HDT9ER/IR'	225MM INSIDE/OUTSIDE RISERS	EA
HDT12ER/IR	300MM INSIDE/OUTSIDE RISERS	EA
HDT18ER/IR	450MMINSIDE/OUTSIDE RISERS	EA
HDT24ER/IR	600MM INSIDE/OUTSIDE RISERS	EA
HDT30ER/IR	750MM INSIDE/OUTSIDE RISERS	EA

Couplers



ISO Certification

CERTIFICATE OF REGISTRATION



This document certifies that the Management System of **Corbett Support Solutions Ltd**

100 Halfords Lane, Hawthorns Business Park, West Bromwich, B66 1BB

has been approved by

ISO Quality Services Limited
to the following Standard and Guidelines:

ISO 9001 : 2015

The approved Management System applies to the following:
Specialist Materials and Solutions to the M&E HVAC and Fixings Industries



For and on behalf of
ISO Quality Services Limited

Director

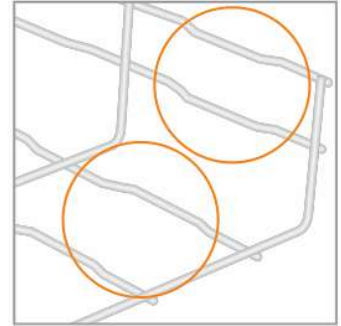
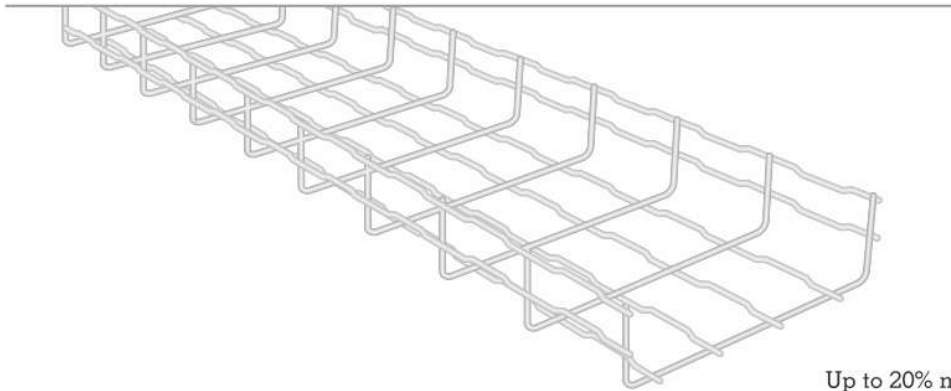
Certificate No.	Originally Issued	Current Certificate	Certificate Expiry
JAPN110303	3 rd March 2011	21 st February 2021	20 th February 2022

This certificate remains valid while the holder maintains their Management System in accordance with the Standard and Guidelines stated above which will be audited by ISO Quality Services Limited. This certificate remains the property of, and must be returned to, ISO Quality Services Limited on reasonable request.

Quality Suite, Oak House, Everoak Industrial Estate, Bromyard Road, Worcester, WR2 5HP, United Kingdom

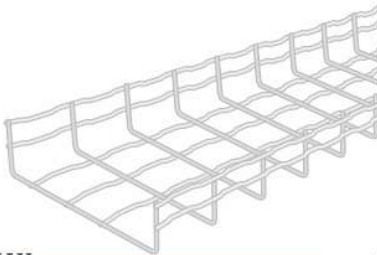


Wire-mesh Cable Trays

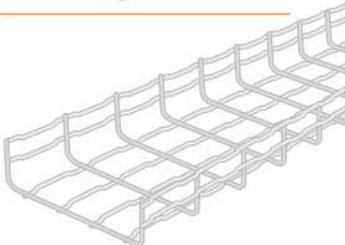


Up to 20% more load capacity

ZINC



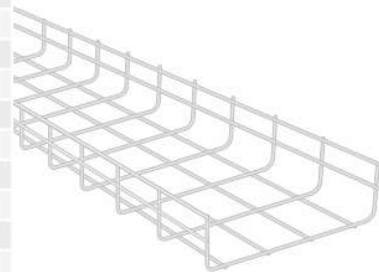
GALV



	mt	mt	ZINC	GALV
			Ref.	Ref.
MTS. CSS BFR 100X35	24	3	2/3616	2/0286
• MTS. CSS BFR 150X35	24	3	2/3617	2/0287
MTS. CSS BFR 200X35	24	3	2/3618	2/0288
MTS. CSS BFR 300X35	18	3	2/3619	2/0289
MTS. CSS BFR 60X65	36	3	2/3621	2/0290
MTS. CSS BFR 100X65	24	3	2/3622	2/0291
MTS. CSS BFR 150X65	18	3	2/3623	2/0292
MTS. CSS BFR 200X65	18	3	2/3624	2/0293
MTS. CSS BFR 300X65	18	3	2/3625	2/0294
MTS. CSS BFR 400X65	18	3	2/4407	2/0295
MTS. CSS BFR 500X65	18	3	2/4409	2/0296
MTS. CSS BFR 600X65	18	3	2/3626	2/0297
MTS. CSS BFR 200X105	12	3	2/4953	2/0298
MTS. CSS BFR 300X105	12	3	2/4959	2/0299
MTS. CSS BFR 400X105	12	3	2/4960	2/0300
MTS. CSS BFR 500X105	12	3	2/4961	2/0301
MTS. CSS BFR 600X105	12	3	2/6043	2/0302



	mt	mt	BICROMATE
			Ref.
MTS. CSS BFR 100X35	24	3	2/3362
MTS. CSS BFR 150X35	24	3	2/3363
MTS. CSS BFR 200X35	24	3	2/4296
MTS. CSS BFR 300X35	18	3	2/3364
MTS. CSS BFR 60X65	36	3	2/4297
MTS. CSS BFR 100X65	24	3	2/3365
MTS. CSS BFR 150X65	18	3	2/3366
MTS. CSS BFR 200X65	18	3	2/3367
MTS. CSS BFR 300X65	18	3	2/3368
MTS. CSS BFR 400X65	18	3	2/3369
MTS. CSS BFR 500X65	18	3	2/3370
MTS. CSS BFR 600X65	18	3	2/3371
MTS. CSS BFR 200X105	12	3	2/3372
MTS. CSS BFR 300X105	12	3	2/5647
MTS. CSS BFR 400X105	12	3	2/3373
MTS. CSS BFR 500X105	12	3	2/5859
MTS. CSS BFR 600X105	12	3	2/3374

BICROMATE



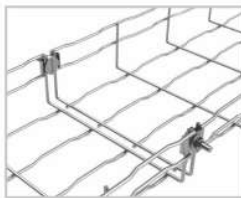


Wire-mesh Cable Trays



	 ud.	 ud.	1304
			Ref.
ERF-BFR 60/65	10	10	2/7018




GSE (Plata)



SC

 ud.	 ud.	CINACDO	CSS	GC
		Ref.	Ref.	Ref.
100	100	2/4364	2/4914	2/4360



	 ud.	 ud.	CINACDO	CSS	GC
			Ref.	Ref.	Ref.
65/105	100	100	2/4919	2/4917	2/4363



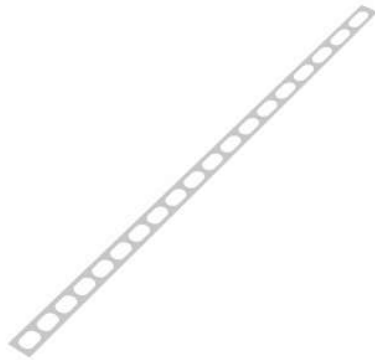
LC







NBW

	 ud.	 ud.	CINACDO	CSS
			Ref.	Ref.
BF	100	100	2/4363	2/4922



Wire-mesh Cable Trays

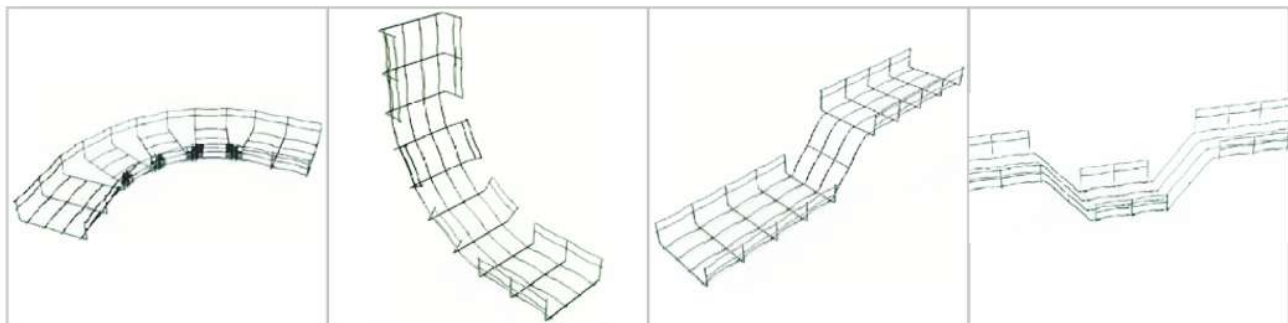


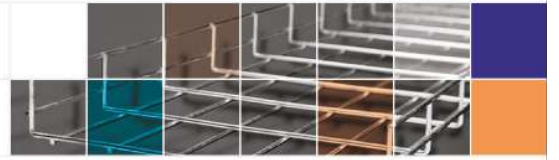
	 ud.	 ud.	GS Ref.	GC Ref.
MULTIUNION	1	1	2/0357	--

	 ud.	 ud.	VARIOS Ref.
BOLT CROPPER	1	1	--

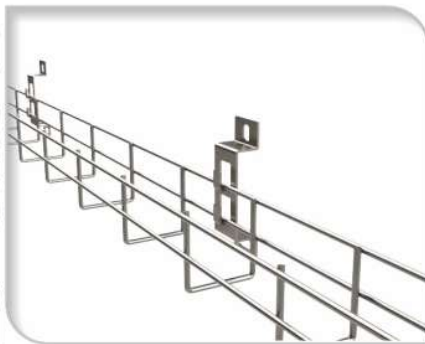
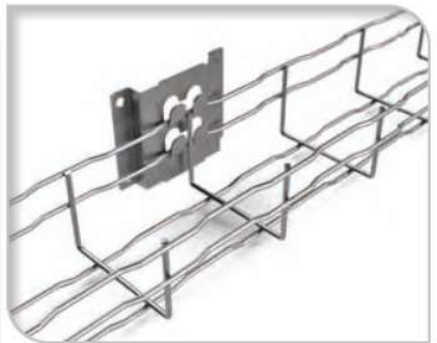
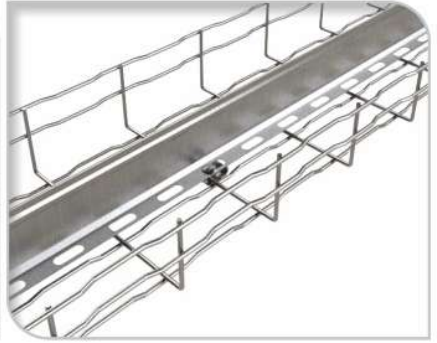
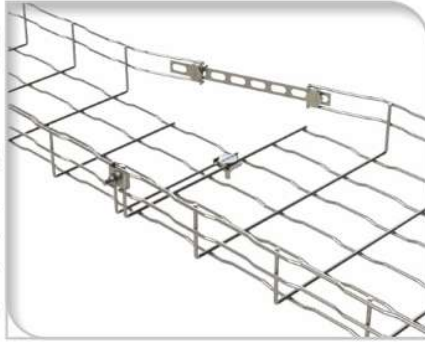
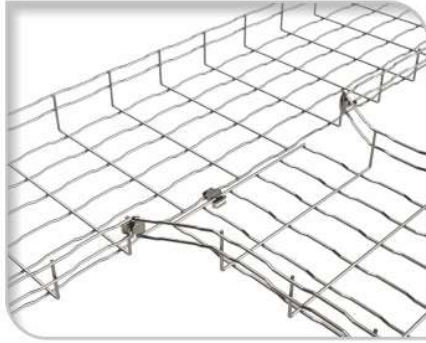


	 ud.	 ud.	VARIOS Ref.
ZINC SPRAY	1	1	--





Wire-mesh Cable Trays



HEX NUTS

Hex Nuts BZP

Stock Code	Size	Box Qty.
HEXM4	M4	100
HEXM5	M5	100
HEXM6	M6	100
HEXM8	M8	100
HEXM10	M10	100
HEXM12	M12	100
HEXM16	M16	100
HEXM20	M20	100



Rod Connectors BZP



Stock Code	Size	Length mm	Box Qty.
RODCON6	M6	18	100
RODCON8	M8	24	100
RODCON10	M10	30	100
RODCON12	M12	36	100
RODCON16	M16	48	100

MECHANICAL & CHEMICAL ANCHOR

Wedge Anchors Standard

Also known as toothless anchors, drop-in anchors or non-drill anchors. Provides a threaded socket in concrete.

Stock Code	Thread Size	Length mm	Drill Ø mm	Finish	Box Qty.
WA6	M6	25	8	ZYP	100
WA8	M8	30	10	ZYP	50
WA10	M10	40	12	ZYP	50
WA12	M12	50	15	ZYP	25
WA16	M16	65	20	ZYP	20
WA20	M20	80	25	ZYP	10



Wedge Anchors Lipped

These anchors perform in the same way as a standard wedge anchor, but the lip stops the anchor dropping to the bottom of a deep hole.



Stock Code	Thread Size	Length mm	Drill Ø mm	Finish	Box Qty.
WA8LIP	M8	30	10	ZYP	50
WA10LIP	M10	30	12	ZYP	50



WASHERS

Stock Code	Size	Thick. mm	Outside Ø mm	Box. Qty.
FW4	M4	0.8	9	1000
FW5	M5	1.0	10	200
FW6	M6	1.6	12.5	100
FW8	M8	1.6	17	100
FW10	M10	2.0	21	100
FW12	M12	2.5	24	100
FW16	M16	3.0	30	100
FW20	M20	3.0	37	100

Flat Washers BZP Form A



Spring Washers BZP



Stock Code	Size	Box. Qty.
SW4	M4	200
SW5	M5	200
SW6	M6	200
SW8	M8	200
SW10	M10	200
SW12	M12	200
SW16	M16	100
SW20	M20	100

Stock Code	Size	Box. Qty.
PW520	M5x20	100
PW525	M5x25	100
PW620	M6x20	100
PW625	M6x25	100
PW630	M6x30	100
PW820	M8x20	100
PW825	M8x25	100
PW830	M8x30	100
PW840	M8x40	100
PW1025	M10x25	100
PW1030	M10x30	100
PW1040	M10x40	100
PW1230	M12x30	100
PW1240	M12x40	100

Penny Washers BZP



THREADED FASTENERS

Hex Set Screws

High Tensile 8.8 Grade (BZP)



Stock Code	Size	Box Qty.
HEXS612	M6x12	100
HEXS616	M6x16	100
HEXS620	M6x20	100
HEXS625	M6x25	100
HEXS630	M6x30	100
HEXS635	M6x35	100
HEXS640	M6x40	100
HEXS650	M6x50	100
HEXS660	M6x60	100
HEXS670	M6x70	100
HEXS680	M6x80	100
HEXS816	M8x16	100
HEXS820	M8x20	100
HEXS825	M8x25	100
HEXS830	M8x30	100
HEXS835	M6x35	100
HEXS840	M8x40	100

Stock Code	Size	Box Qty.
HEXS850	M8x50	100
HEXS860	M8x60	100
HEXS870	M8x70	100
HEXS880	M8x80	100
HEXS8100	M8x100	100
HEXS1016	M10x16	100
HEXS1020	M10x20	100
HEXS1025	M10x25	100
HEXS1030	M10x30	100
HEXS1035	M10x35	100
HEXS1040	M10x40	100
HEXS1050	M10x50	100
HEXS1060	M10x60	100
HEXS1065	M10x65	100
HEXS1070	M10x70	100
HEXS1080	M10x80	100
HEXS10100	M10x100	100

Roofing Bolts & Nuts



Stock Code	Size	Box Qty.
RNB610	M6x10	200
RNB612	M6x12	200
RNB616	M6x16	200
RNB620	M6x20	200
RNB625	M6x25	200

Stock Code	Size	Box Qty.
RNB630	M6x30	200
RNB635	M6x35	200
RNB640	M6x40	200
RNB650	M6x50	100

CSS Support Systems Limited — TERMS AND CONDITIONS OF SALE

1 DEFINITIONS

- In this document the following words shall have the following meanings:
- 1.1 "Buyer" means the organisation or person who buys Goods from the Seller;
 - 1.2 "Goods" means the articles to be supplied to the Buyer from the Seller; "Intellectual Property Rights" means all patents, registered and unregistered designs, copyright, trade marks, know-how and all other forms of intellectual property wherever in the world enforceable;
 - 1.4 "Price List" means the list of prices of the Goods maintained by the Seller as amended from time to time.
 - 1.5 "Seller" means Corbetts Support Solutions Ltd t/a CSS Support Systems Ltd, 100 Halfords Lane, Hawthorne Business Park, West Bromwich, B66 1BB company registration number 05395945
 - 1.6 "Writing" includes telex, post, cable, email, facsimile and comparable means of communication.
 - 1.7 "Contract" means the contract for the purchase and sale of the Goods. The headings in these conditions are for convenience and shall not affect their interpretation.

2 GENERAL

- 2.1 These Terms and Conditions shall apply to all Contracts for the sale of Goods by the Seller to the Buyer to the exclusion of all other terms and conditions referred to, offered or relied on by the Buyer whether in negotiation or at any stage in the dealings between the parties, including any standard or printed terms tendered by the Buyer, unless the Buyer specifically states in Writing, separately from such terms, that it wishes such terms to apply and this has been acknowledged by the Seller in Writing.
 - 2.2 Any variation to these Terms and Conditions (including any special terms and conditions agreed between the parties) shall be inapplicable unless agreed in Writing by the Seller.
 - 2.3 Any typographical, clerical, or other error or omission in any sales literature, price list, acceptance of offer, invoice or other document or information issued by the Seller shall be subject to correction without any liability to the Seller.
- ### 3 PRICE AND PAYMENT
- 3.1 The price shall be that in the Seller's current List Price, or such other price as the parties may agree in Writing. The price is exclusive of VAT or any other applicable costs. For UK customers only carriage shall be paid for by the Seller providing any single order/shipment value is greater than £150 ex-VAT. Carriage will be charged to the Buyer at an agreed price if any single order/shipment value is less than £150 ex-VAT. Orders supplied to non-UK Customers will be supplied on an ex-works basis.
 - 3.2 Payment of the price and VAT and any other applicable costs shall be due within 30 days of the end of the month following delivery of the Goods. Payment terms other than these may be agreed between the Seller and Buyer and will be confirmed in Writing by the Seller to the Buyer.
 - 3.3 The Seller shall be entitled to charge interest on overdue invoices from the date when payment becomes due from day to day until the date of payment at a rate of 5.00% per annum above the base rate of HSBC Bank PLC.
 - 3.4 If payment of the price or any part thereof is not made by the due date, the Seller shall be entitled to:
 - 3.4.1 require payment in advance of delivery in relation to any Goods not previously delivered;
 - 3.4.2 refuse to make delivery of any undelivered Goods whether ordered under the Contract or not and without incurring any liability whatever to the Buyer for non-delivery or any delay in delivery;
 - 3.4.3 terminate the Contract.
 - 3.5 Special prices may be agreed from time to time between Seller and Buyer and will be confirmed in Writing with a valid quote number by the Seller to the Buyer. When placing an order the Buyer must refer to the quote number in Writing to qualify for these prices.
 - 3.6 The Buyer shall not be entitled to cancel an order that has been accepted by the Seller except upon terms that reimburse the Seller for its loss of profit. This must be agreed by written notification by the Seller prior to any order being cancelled.
 - 3.7 The Seller reserves the right, by giving notice to the Buyer at any time before delivery, to increase the price of the Goods to reflect the increase in the cost to the Seller which is due to any factor beyond the control of the Seller (such as but without limitation, any foreign exchange fluctuation, currency regulation, alteration of duties, significant increases in the costs of labour, materials or other costs of manufacture), any change in delivery dates, quantities or specifications for the Goods which is requested by the Buyer, or any delay caused by any instruction of the Buyer or failure of the Buyer to give the Seller adequate information or instructions.
 - 3.8 The Seller in certain conditions may offer a commercial rebate to the buyer on invoiced net sales over an agreed period. This will be based upon spend to encourage growth. This rebate must be claimed by the buyer no more than 12 months later than the period from which it was considered. Any claims outside this period will not be considered by the seller.

4 DESCRIPTION

- 4.1 Any description given or applied to the Goods is given by way of identification only and the use of such description shall not constitute a sale by description. For the avoidance of doubt, the Buyer hereby affirms that it does not in any way rely on any description when entering into the Contract.
- 4.2 The Seller reserves the right to make any changes to the specification of the Goods which are required to conform with any applicable safety or other statutory requirements or where the Goods are to be supplied to the Sellers specifications, which do not materially affect their quality or performance.

5 SAMPLE

- Where a sample of the Goods is shown to and inspected by the Buyer, the parties hereto accept that such a sample is so shown and inspected for the sole purpose of enabling the Buyer to judge for itself the bulk of the product, and not so as to constitute a sale by sample.

6 DELIVERY

- 6.1 Unless otherwise agreed in Writing, delivery of the Goods shall take place at the address specified by the Buyer on the date specified by the Seller. The Buyer shall make all arrangements necessary to take delivery of the Goods whenever they are tendered for delivery.
- 6.2 The date of delivery specified by the Seller is an estimate only. Time for delivery shall not be of the essence of the Contract.
- 6.3 Any shortages must be notified in Writing within 48 hours of taking delivery.
- 6.4 If the Seller fails to deliver the Goods for any other reason other than any cause beyond the Sellers reasonable control or the Buyers fault and the Seller is accordingly liable to the Buyer, the Sellers liability shall be limited to the lesser of either the excess (if any) of the cost to the Buyer (in the cheapest available market) of similar Goods to replace those not delivered over the price of the Goods or the price of the Goods.

7 RISK

- Risk in the Goods shall pass to the Buyer at the moment the Goods are dispatched from the Seller's premises. Where the Buyer chooses to collect the Goods itself, risk will pass when the Goods are entrusted to it or set aside for its collection, whichever happens first.

8 RETENTION OF TITLE

- The risk in the Goods shall pass from the Seller to the Buyer upon delivery of such Goods to the Buyer. However, notwithstanding delivery and the passing of risk in the Goods, title and property in the Goods, including full legal and beneficial ownership, shall not pass to the Buyer until the Seller has received in cash or cleared funds payment in full for all Goods delivered to the Buyer under this and all other Contracts between the Seller and the Buyer for which the full price of the Goods there under has not been paid. Payment of the full price of the Goods shall include the amount of any interest or other sum payable under the terms of this and all other Contracts between the Seller and the Buyer under which the Goods were delivered.

9 WARRANTY

- 9.1 Where the Goods have been sourced or manufactured by the Seller and are found to be defective, the Seller shall repair, or in its sole discretion, replace defective Goods free of charge within 1 month from the date of delivery, subject to the following conditions:
 - 9.1.1 the Buyer notifying the Seller in Writing within 7 days of receipt of the Goods;
 - 9.1.2 the defect being due to the faulty design, materials or workmanship of the Seller.
- 9.2 Any Goods to be repaired or replaced shall be returned to the Seller at the Buyer's expense, if so requested by the Seller.
- 9.3 Where the Goods have been manufactured and supplied to the Seller by a third party, any warranty granted to the Seller in respect of the Goods shall be passed on to the Buyer.
- 9.4 The Seller shall be entitled in its absolute discretion to refund the price of the defective Goods in the event that such price has already been paid.
- 9.5 The Seller shall be under no liability in respect for any defect arising from fair wear and tear, wilful damage, negligence, abnormal working conditions, or failure to follow the Sellers instructions (whether oral or in Writing) misuse or alteration or repair to the Goods without the Sellers approval.
- 9.6 The remedies contained in this Clause are without prejudice to the other Terms and Conditions herein, including, but without limitation, Clauses 10 and 11 below.

10 LIABILITY

- 10.1 No liability of any nature shall be incurred or accepted by the Seller in respect of any representation made by the Seller, or on its behalf, to the Buyer, or to any party acting on its behalf, prior to the making of this Contract where such representations were made or given in relation to:
 - 10.1.1 the correspondence of the Goods with any description;
 - 10.1.2 the quality of the Goods; or
 - 10.1.3 the fitness of the Goods for any purpose whatsoever.
 - 10.1.4 the delivery of the Goods
- 10.2 No liability of any nature shall be accepted by the Seller to the Buyer in respect of any express term of this Contract where such term relates in any way to:
 - 10.2.1 the correspondence of the Goods with any description;
 - 10.2.2 the quality of the Goods; or
 - 10.2.3 the fitness of the Goods for any purpose whatsoever.
 - 10.2.4 the delivery of the Goods
- 10.3 All implied terms, conditions or warranties as to the correspondence of the Goods to any description or the satisfactory quality of the Goods or the fitness of the Goods for any purpose whatsoever (whether made known to the Seller or not) are hereby excluded from the Contract.

11 LIMITATION OF LIABILITY

- 11.1 Where any court or arbitrator determines that any part of Clause 10 above is, for whatever reason, unenforceable, the Seller shall be liable for all loss or damage suffered by the Buyer but in an amount not exceeding the Contract price.
- 11.2 Nothing contained in these Terms and Conditions shall be construed so as to limit or exclude the liability of the Seller for death or personal injury as a result of the Seller's negligence or that of its employees or agents.

12 INTELLECTUAL PROPERTY RIGHTS

- All Intellectual Property Rights produced from or arising as a result of the performance of this Agreement shall, so far as not already vested, become the absolute property of the Seller, and the Buyer shall do all that is reasonably necessary to ensure that such rights vest in the Seller by the execution of appropriate instruments or the making of agreements with third parties.

13 FORCE MAJEURE

- The Seller shall not be liable for any delay or failure to perform any of its obligations if the delay or failure results from events or circumstances outside its reasonable control, including but not limited to acts of God, strikes, lock outs, accidents, war, fire, breakdown of plant or machinery or shortage or unavailability of raw materials from a natural source of supply, and the Seller shall be entitled to a reasonable extension of its obligations. If the delay persists for such time as the Seller considers unreasonable, it may, without liability on its part, terminate the Contract.

14 RELATIONSHIP OF PARTIES

- Nothing contained in these Terms and Conditions shall be construed as establishing or implying any partnership or joint venture between the parties and nothing in these Terms and Conditions shall be deemed to construe either of the parties as the agent of the other.

15 INSOLVENCY OF THE BUYER

- This clause applies if:
- 15.1.1 The Buyer makes any voluntary arrangements with its creditors or seeks the protection of the Court or (being an individual or company) goes into liquidation (otherwise than for the purposes of amalgamation or reconstruction); or
 - 15.1.2 An encumbrance takes possession, or a receiver is appointed, of any of the property or assets of the Buyer; or
 - 15.1.3 The Buyer ceases, or threatens to cease, to carry on business or
 - 15.1.4 The Seller reasonably apprehends that any of the events mentioned above is about to occur in relation to the Buyer and notifies the Buyer accordingly

- If this clause applies then, without prejudice to any other right or remedy available to the Seller, the Seller shall be entitled to cancel the Contract or suspend all further deliveries under the Contract without any liability to the Buyer, and if the Goods have been delivered but not paid for, the price, and any other sums due by the Buyer to the Seller shall become immediately payable notwithstanding any previous agreement to the contrary.

16 ASSIGNMENT AND SUB-CONTRACTING

- The Contract between the Buyer and Seller for the sale of Goods shall not be assigned or transferred, nor the performance of any obligation sub-contracted, in either case by the Buyer, without the prior written consent of the Seller.

17 WAIVER

- The failure by either party to enforce at any time or for any period any one or more of the Terms and Conditions herein shall not be a waiver of them or of the right at any time subsequently to enforce all Terms and Conditions of this Agreement.

18 SEVERABILITY

- If any term or provision of these Terms and Conditions is held invalid, illegal or unenforceable for any reason by any court of competent jurisdiction such provision shall be severed and the remainder of the provisions hereof shall continue in full force and effect as if these Terms and Conditions had been agreed with the invalid, illegal or unenforceable provision eliminated.

19 GOVERNING LAW AND JURISDICTION

- This Agreement shall be governed by and construed in accordance with the law of England and the parties hereby submit to the exclusive jurisdiction of the English courts.

IMPORTANT NOTES

Lined writing area for notes.



SUPPORT SYSTEMS LTD.



CSS LIMITED

Tel: + 44 (0) 1925 850333, Fax: +44 (0) 1925 850532 WEBSITE: www.csslimited.com, E-MAIL: sales@csslimited.com

Distribution
100 HALFORDS LANE,
HAWTHORNS BUSINESS PARK,
WEST BROMWICH,
BIRMINGHAM, B66 1BB

Glasgow Depot At
UNIT 8, BLOCK 23,
WEARDALE LANE,
QUEENSLINE INDUSTRIAL ESTATE
GLASGOW G33 4JJ

Sales and Accounts
CSS WARRINGTON, UNIT 10
FORWARD WORKS,
BRIDGE LANE,
WARRINGTON, WA1 4BA